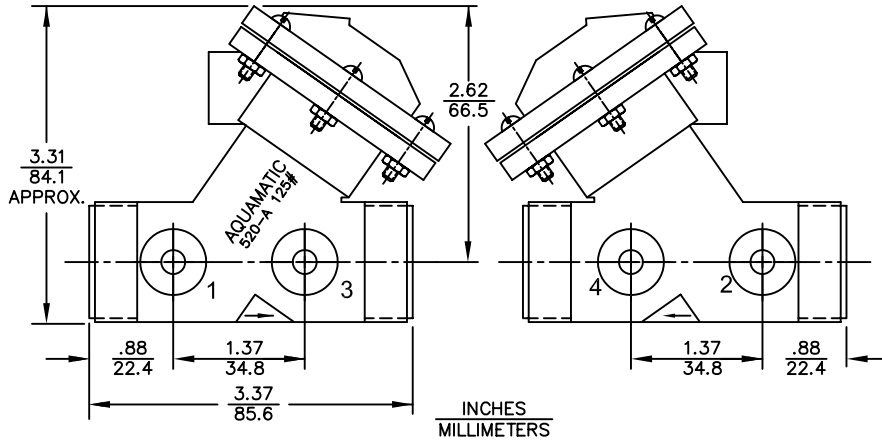


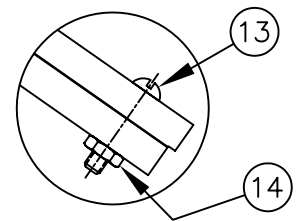
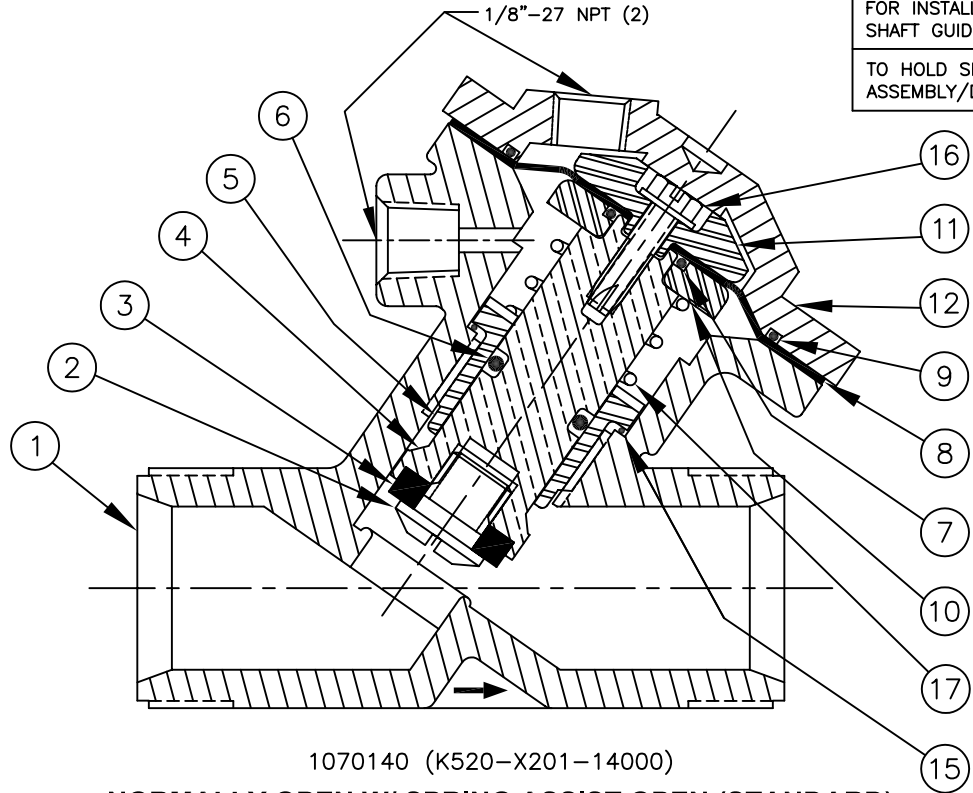
K520 DIAPHRAGM VALVE - STANDARD MODEL



| REPAIR PARTS KITS | | |
|---|--|---|
| DESCRIPTION | PART NO. | |
| DIAPHRAGM & SEALS KIT CONSISTS OF ITEM NO'S 3,6,7,8,9,15 | 1081784 (520-RAN) | 1081783 (520-RAJN) |
| | E.P.D.M. INCLUDES DIAPHRAGM 1078035 | BUTYL INCLUDES DIAPHRAGM 1078035 |
| | 1081787 (520-RAVN) | 1081786 (520-RAVFN) |
| | FKM INCLUDES DIAPHRAGM 1078035 | FKM INCLUDES DIAPHRAGM 1078047 |
| INT. PARTS KIT (NORM. OPEN) CONSISTS OF ITEM NO'S 2,4,5,10,11,16 | 1079600 (K520-RFN) | |

| ASSEMBLY TOOLS | |
|--|-----------------|
| DESCRIPTION | PART NO. |
| FOR INSTALLATION & REMOVAL OF SHAFT GUIDE (ITEM #5) | 1074989 (520-Z) |
| TO HOLD SHAFT (ITEM #4) DURING ASSEMBLY/DISASSEMBLY | 1077834 |

| NO. | DESCRIPTION | PART NO. | QTY. |
|-----|--------------------|----------------------------|------|
| 1 | BODY | 1074943 (520-AK) | 1 |
| 2 | DISC SCREW | 1077903 | 1 |
| 3 | DISC | E.P.D.M. 1074966 (520-J) | 1 |
| | | BUTYL 1074967 (520-JJ) | |
| | | FKM 1074968 (520-JV) | |
| 4 | SHAFT (NORYL) | 1077854 | 1 |
| 5 | SHAFT GUIDE | 1074965 (520-GP) | 1 |
| 6 | O-RING | E.P.D.M. 1071727 (ORE-111) | 1 |
| | | BUTYL 1071764 (ORJ-111) | |
| | | FKM 1071799 (ORV-111) | |
| 7 | O-RING | E.P.D.M. 1071717 (ORE-012) | 1 |
| 8 | DIAPHRAGM | BUNA N 1078035 | 1 |
| | | FKM 1078047 | |
| 9 | O-RING | BUNA N 1071679 (ORB-030) | 1 |
| 10 | LWR DIAPH. PLATE | 1077858 | 1 |
| 11 | UPR DIAPH. PLATE | 1077856 | 1 |
| 12 | CAP | 1074948 (520-BOK) | 1 |
| 13 | RD. HD. MACH. SCR. | 1072379 (SCS-0094) | 6 |
| 14 | HEX NUT | 1071647 (NUS-0005) | 6 |
| | | E.P.D.M. 1071720 (ORE-018) | |
| | | BUTYL 1071762 (ORJ-018) | |
| 15 | O-RING | FKM 1071790 (ORV-018) | 1 |
| | | | |
| | | | |
| 16 | SCREW | 1077781 | 1 |
| 17 | SPRING | 1074985 (520-SS) | 1 |



SEE SHEET 1078140 FOR UNION END CONNECTORS,
SEE SHEET 1078141 FOR GROOVED ADAPTORS,

SEE REVERSE SIDE FOR CONFIGURATION OPTIONS

1070140 (K520-X201-14000)
NORMALLY OPEN W/ SPRING ASSIST OPEN (STANDARD)

PRINTED IN U.S.A.

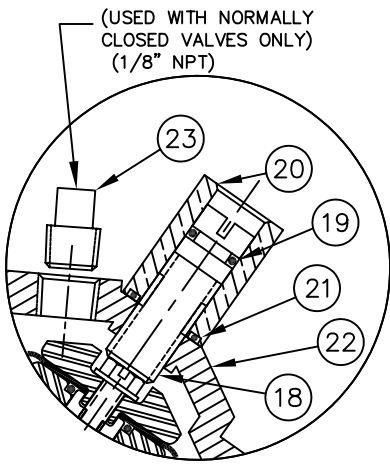
FORM NO. 1078139

| | | | | |
|-----|-------------------|------|-----|-----------|
| D | NUMBER CONVERSION | 1588 | MSM | 12DEC02 |
| REV | DESCRIPTION | ECO | DWN | DATE APVD |

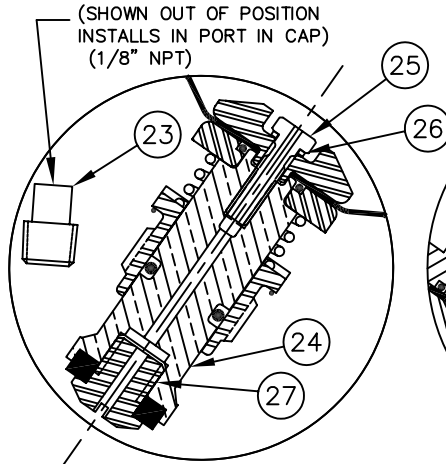
OSMONICS
ROCKFORD OPERATIONS
2412 GRANT AVENUE, ROCKFORD, IL 61103-3991 (815) 964-9421
WWW.OSMONICS.COM

**SERIES 520 DIAPHRAGM VALVE
STANDARD MODEL**

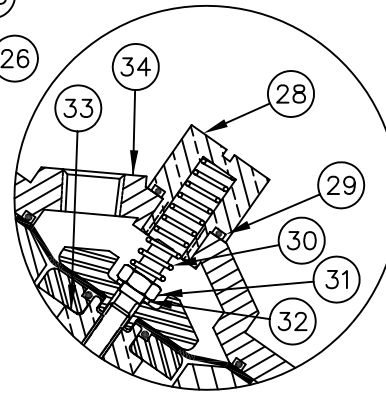
| | | | |
|-------|-------|---------|----------|
| SCALE | DRAWN | DATE | DWG. NO. |
| N/A | JWB | 25JUL01 | 1084001 |



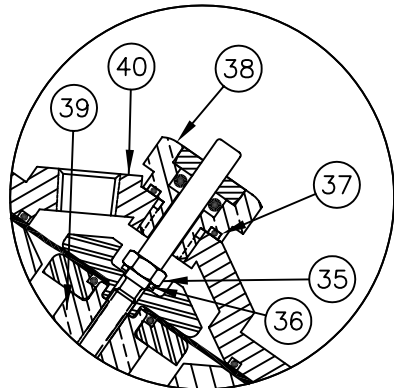
1070141 (K520-X211-14000)
LIMIT STOP



1071084 (K520-X231-14000)
NORMALLY CLOSED



1070143 (K520-X202-14000)
SPRING ASSIST CLOSED



1071079 (K520-X221-14000)
POSITION INDICATOR

NOTE:

1. NORMALLY CLOSED CANNOT BE COMBINED WITH SPRING ASSIST CLOSED.
2. LIMIT STOP MODEL CANNOT BE COMBINED WITH SPRING ASSIST CLOSED OPTION.
3. POSITION INDICATOR MODEL FURNISHED WITH NORMALLY OPEN, SPRING ASSIST OPEN OPTION ONLY.

| NO. | DESCRIPTION | PART NO. | QTY. |
|-----------------------------------|------------------------|--------------------|------|
| LIMIT STOP MODEL | | | |
| 18 | ADJUSTING SCREW | 1074988 (520-Y) | 1 |
| 19 | O-RING (BUNA) | 1071667 (ORB-010) | 1 |
| 20 | LIMIT STOP HOUSING | 1074987 (520-X) | 1 |
| 21 | O-RING (BUNA) | 1071669 (ORB-013) | 1 |
| 22 | CAP | 1074946 (520-BBOK) | 1 |
| NORMALLY CLOSED MODEL | | | |
| 23 | PIPE PLUG (1/8" NPT) | 1071912 (PLP-0006) | 1 |
| 24 | SHAFT (N.C.) | 1077905 | 1 |
| 25 | SCREW | 1077818 | 1 |
| 26 | WASHER | 1078037 | 1 |
| 27 | DISC SCREW | 1078324 | 1 |
| SPRING ASSIST CLOSED MODEL | | | |
| 28 | SPRING RETAINER | 1074986 (520-T) | 1 |
| 29 | O-RING (BUNA) | 1071669 (ORB-013) | 1 |
| 30 | SPRING (ASSIST CLOSED) | 1074981 (520-S) | 1 |
| 31 | SCREW | 1077828 | 1 |
| 32 | WASHER | 1078037 | 1 |
| 33 | SHAFT | 1077907 | 1 |
| 34 | CAP | 1074946 (520-BBOK) | 1 |
| POSITION INDICATOR MODEL | | | |
| 35 | SCREW | 1077826 | 1 |
| 36 | WASHER | 1078037 | 1 |
| 37 | O-RING (BUNA) | 1071669 (ORB-013) | 1 |
| 38 | GUIDE HOUSING ASSY | 1075037 (521-KA) | 1 |
| 39 | SHAFT | 1077907 | 1 |
| 40 | CAP | 1074946 (520-BBOK) | 1 |


SEE SHEET 1078140 FOR UNION END CONNECTORS,
SEE SHEET 1078141 FOR GROOVED ADAPTORS,

SEE REVERSE SIDE FOR
STANDARD NORMALLY OPEN MODEL

FORM NO. 1078139

| CONVERSION KITS | |
|---|---------------------|
| DESCRIPTION | PART NO. |
| CONVERSION KIT (LIMIT STOP) CONSISTS OF ITEM NO'S 18 THRU 22 | 1071056 (K520-LSC) |
| CONVERSION KIT (SPRING ASSIST CLOSED) CONSISTS OF ITEM NO'S 28 THRU 34 | 1079602 (K520-SCCN) |
| CONVERSION KIT (POSITION INDICATOR) CONSISTS OF ITEM NO'S 35 THRU 40 | 1079599 (K520-PICN) |

| REPAIR PARTS KITS | |
|---|--------------------|
| DESCRIPTION | PART NO. |
| INT. PARTS KIT (LIMIT STOP) CONSISTS OF ITEM NO'S 18 THRU 21 | 1074973 (520-LS) |
| INT. PARTS KIT (NORM. CLOSED) CONSISTS OF ITEM NO'S 5,10,11,24,25,26,27 | 1079601 (K520-RGN) |
| INT. PARTS KIT (SPRING ASSIST CLOSED) CONSISTS OF ITEM NO'S 29 THRU 33 | 1081789 (520-SCN) |
| INT. PARTS KIT (POSITION INDICATOR) CONSISTS OF ITEM NO'S 35 THRU 39 | 1081782 (520-PIN) |

| D | NUMBER | CONVERSION | 1588 | MSM | 12DEC02 |
|---|-------------|------------|----------|------|---------|
| REV | DESCRIPTION | ECO | DWN | DATE | AP/VD |
|  OSMONICS ROCKFORD OPERATIONS 2412 GRANT AVENUE, ROCKFORD, ILL. 61103-3991 (815) 964-9421 WWW.OSMONICS.COM | | | | | |
| SERIES 520 DIAPHRAGM VALVE | | | | | |
| OPTIONAL MODELS | | | | | |
| SCALE | DRAWN | DATE | DWG. NO. | | |
| N/A | JWB | 24MAY01 | 1084001 | | |