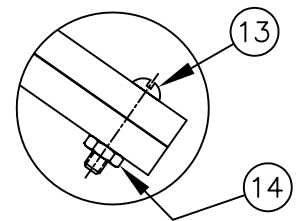
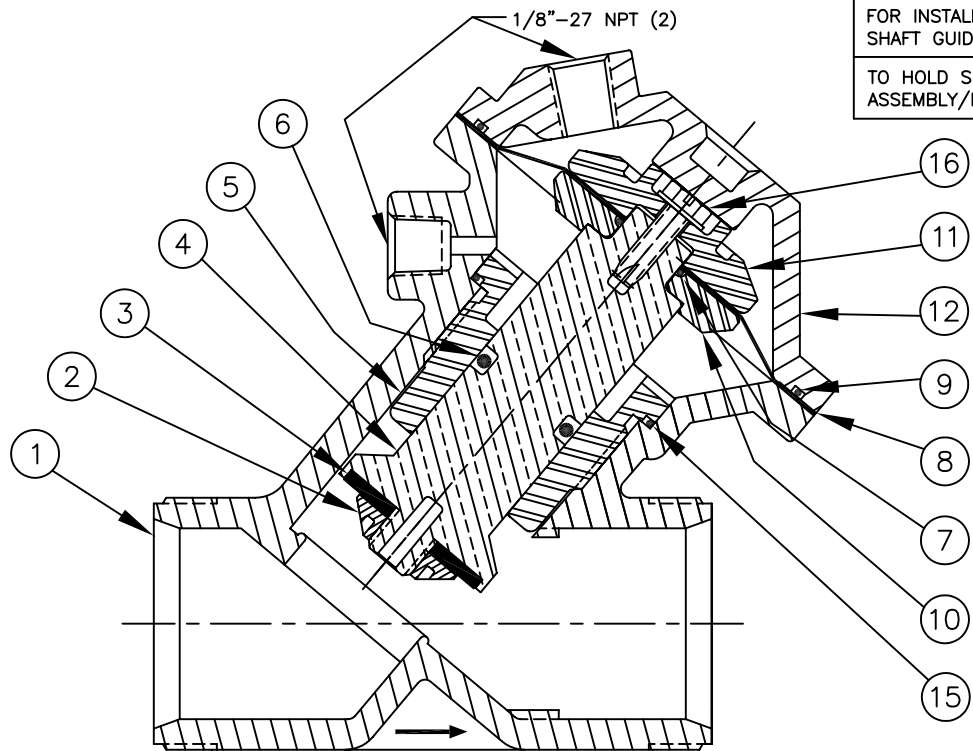


REPAIR PARTS KITS		
DESCRIPTION	PART NO.	
DIAPHRAGM & SEALS KIT CONSISTS OF ITEM NO'S 3,6,7,8,9,15	1081792 (521-RAN)	1081791 (521-RAN)
	E.P.D.M. INCLUDES DIAPHRAGM 1075028 (521-FB)	BUTYL INCLUDES DIAPHRAGM 1075028 (521-FB)
	1081796 (521-RAN)	1081795 (521-RAVFN)
	FKM INCLUDES DIAPHRAGM 1075028 (521-FB)	FKM INCLUDES DIAPHRAGM 1075029 (521-FV)
INT. PARTS KIT (NORM. OPEN) CONSISTS OF ITEM NO'S 2,4,5,10,11,16	1079621 (K521-RFN)	

ASSEMBLY TOOLS	
DESCRIPTION	PART NO.
FOR INSTALLATION & REMOVAL OF SHAFT GUIDE (ITEM #5)	1075059 (521-Z)
TO HOLD SHAFT (ITEM #4) DURING ASSEMBLY/DISASSEMBLY	1077837

NO.	DESCRIPTION	PART NO.	QTY.
1	BODY	1075007 (521-AK)	1
2	DISC PLATE NUT	1075845	1
3	DISC	E.P.D.M.	1077814
		BUTYL	1077815
		FKM	1077816
4	SHAFT	1075842	1
5	SHAFT GUIDE	1075031 (521-GPO)	1
6	O-RING	E.P.D.M.	1071743 (ORE-208)
		BUTYL	1071775 (ORJ-208)
		FKM	1071814 (ORV-208)
7	O-RING	E.P.D.M. 1071718 (ORE-014)	1
8	DIAPH.	BUNA N	1075028 (521-FB)
		FKM	1075029 (521-FV)
9	O-RING	BUNA N 1071715 (ORB-805)	1
10	LWR DIAPH. PLATE	1075844	1
11	UPR DIAPH. PLATE	1075843	1
12	CAP	1075012 (521-BOK)	1
13	RD. HD. MACH. SCR.	1072380 (SCS-0095)	8
14	HEX NUT	1071648 (NUS-0006)	8
		ETH. PROP. 1071942 (QRE-029)	
15	QUAD-RING	BUTYL 1071943 (QRJ-029)	1
		FKM 1071944 (QRV-029)	
		1077783	1
16	SCREW	1077783	1



SEE FORM 1078142 FOR UNION END CONNECTORS AND GROOVED ADAPTORS

SEE REVERSE SIDE FOR CONFIGURATION OPTIONS

1070154 (K521-X200-14000)
NORMALLY OPEN (STANDARD)

PRINTED IN U.S.A.

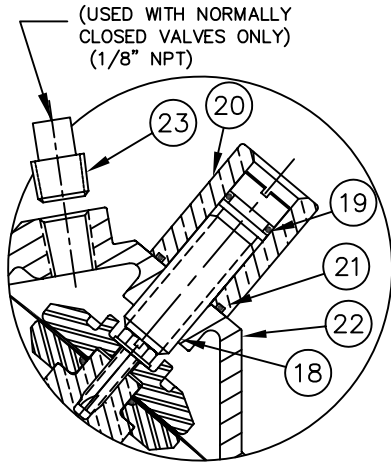
FORM NO. 1077654

C	NUMBER CONVERSION	1588	MSM	27NOV02
REV	DESCRIPTION	ECO	DWN	DATE APVD

OSMONICS
ROCKFORD OPERATIONS
2412 GRANT AVENUE, ROCKFORD, IL 61103-3991 (815) 964-9421
WWW.OSMONICS.COM

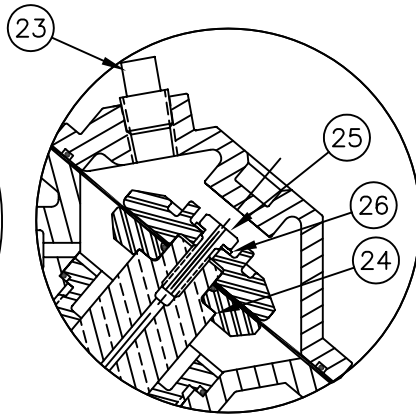
**SERIES 521 DIAPHRAGM VALVE
STANDARD MODEL**

SCALE	DRAWN	DATE	DWG. NO.
N/A	JWB	07Nov01	1084003



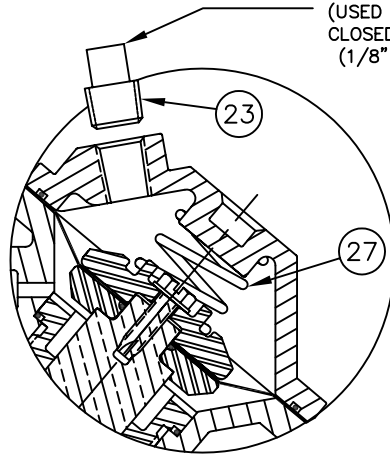
1070155 (K521-X210-14000)

LIMIT STOP



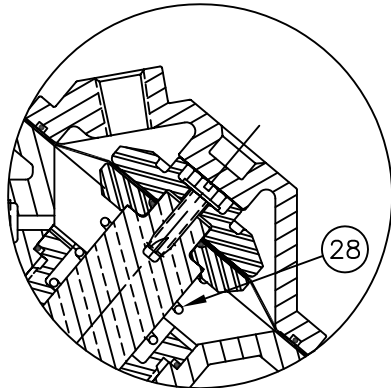
1070159 (K521-X230-14000)

NORMALLY CLOSED



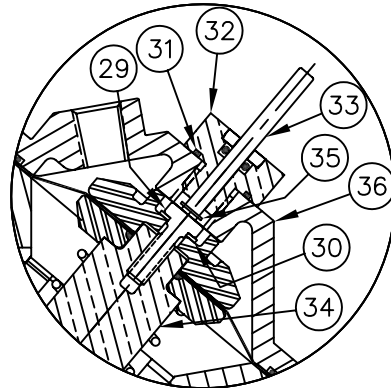
1070157 (K521-X202-14000)

SPRING ASSIST CLOSED



1070158 (K521-X201-14000)

SPRING ASSIST OPEN



1071143 (K521-X221-14000)

POSITION INDICATOR

NOTE:

1. POSITION INDICATOR MODEL CANNOT BE COMBINED WITH NORMALLY CLOSED OR LIMIT STOP OPTIONS.
2. POSITION INDICATOR MODEL FURNISHED WITH SPRING ASSIST OPEN OPTION.

SEE FORM 1078142 FOR UNION END CONNECTORS AND GROOVED ADAPTORS


SEE SHEET K521-1F FOR STANDARD NORMALLY OPEN MODEL

FORM NO. 1077654

CONVERSION KITS	
DESCRIPTION	PART NO.
CONVERSION KIT (LIMIT STOP) CONSISTS OF ITEM NO'S 18 THRU 22	1071090 (K521-LSC)
CONVERSION KIT (SPRING ASSIST CLOSED) CONSISTS OF ITEM NO. 27	1075054 (521-SC)
CONVERSION KIT (SPRING ASSIST OPEN) CONSISTS OF ITEM NO. 28	1075055 (521-SO)
CONVERSION KIT (POSITION INDICATOR) CONSISTS OF ITEM NO'S 29 THRU 36	1079620 (K521-PICN)

REPAIR PARTS KITS	
DESCRIPTION	PART NO.
INT. PARTS KIT (LIMIT STOP) CONSISTS OF ITEM NO'S 18 THRU 21	1075040 (521-LS)
INT. PARTS KIT (NORM. CLOSED) CONSISTS OF ITEM NO'S 2,5,10,11,24,25,26	1079622 (K521-RGN)
INT. PARTS KIT (SPRING ASSIST CLOSED) CONSISTS OF ITEM NO. 27	1075054 (521-SC)
INT. PARTS KIT (SPRING ASSIST OPEN) CONSISTS OF ITEM NO. 28	1075055 (521-SO)
INT. PARTS KIT (POSITION INDICATOR) CONSISTS OF ITEM NO'S 29 THRU 35	1081790 (521-PIN)

NO.	DESCRIPTION	PART NO.	QTY.
LIMIT STOP MODEL			
18	ADJUSTING SCREW	1075058 (521-Y)	1
19	O-RING BUNA N	1071668 (ORB-012)	1
20	LIMIT STOP HOUSING	1075057 (521-X)	1
21	O-RING BUNA N	1071671 (ORB-016)	1
22	CAP	1075010 (521-BBOK)	1
NORMALLY CLOSED MODEL			
23	PIPE PLUG (1/8" NPT)	1071912 (PLP-0006)	1
24	SHAFT (N.C.)	1077909	1
25	SCREW	1077830	1
26	WASHER	1078066	1
SPRING ASSIST CLOSED MODEL			
27	SPRING (ASSIST CLOSED)	1075051 (521-S)	1
SPRING ASSIST OPEN MODEL			
28	SPRING (ASSIST OPEN)	1074264 (424-S)	1
POSITION INDICATOR MODEL			
29	SCREW	1077832	1
30	WASHER	1078066	1
31	O-RING BUNA N	1071671 (ORB-016)	1
32	GUIDE HOUSING ASSY	1075037 (521-KA)	1
33	INDICATOR SHAFT	1078062	1
34	SHAFT	1077911	1
35	RETAINING RING	1076200	1
36	CAP	1075010 (521-BBOK)	1

C	NUMBER	CONVERSION	1588	MSM	27NOV02
REV	DESCRIPTION	ECO	DWN	DATE	APVD
 OSMONICS ROCKFORD OPERATIONS 2412 GRANT AVENUE, ROCKFORD, IL 61103-3981 (815) 964-9421 WWW.OSMONICS.COM					
SERIES 521 DIAPHRAGM VALVE					
OPTIONAL MODELS					
SCALE	N/A	DRAWN	JWB	DATE	07Nov01
				DWG. NO.	1084003