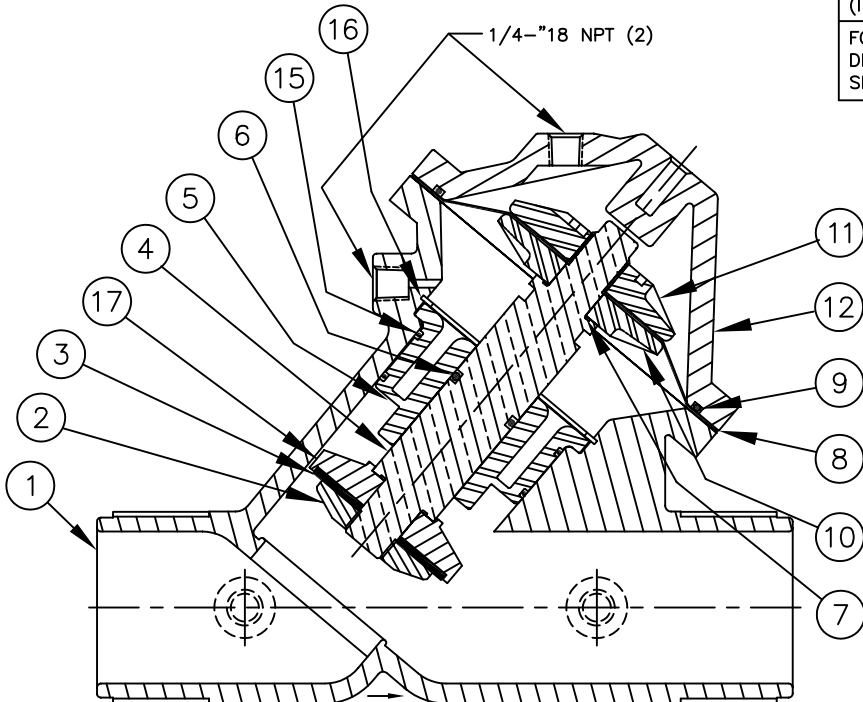


INCHES
MILLIMETERS



1070180 (K526-X200-14000)

NORMALLY OPEN (STANDARD)

PRINTED IN U.S.A.

REPAIR PARTS KITS

DESCRIPTION	PART NO.	
DIAPHRAGM & SEALS KIT CONSISTS OF ITEM NO'S 3,6,7(2),8,9,15(2)	1070275 (526-RA)	1070283 (526-RAJ)
	E.P.D.M. INCLUDES DIAPHRAGM	BUTYL INCLUDES DIAPHRAGM
	1075177 (526-FB)	1075177 (526-FB)
INT. PARTS KIT (NORM. OPEN) CONSISTS OF ITEM NO'S 2,4,5,10,11,17	1070291 (526-RAV)	
	VITON INCLUDES DIAPHRAGM 1075177 (526-FB)	
	1070299 (K526-RF)	

ASSEMBLY TOOLS

DESCRIPTION	PART NO.
FOR INSTALLATION & REMOVAL OF SHAFT (ITEM #4) (TOOL NOT SHOWN)	1075060 (521-ZA)
FOR INSTALLATION & REMOVAL OF UPPER DIAPHRAGM PLATE (ITEM #11) (TOOL NOT SHOWN)	1075224 (526-Z)

NO.	DESCRIPTION	PART NO.	QTY.
1	BODY	1075162 (526-AK)	1
2	DISC PLATE	1075176 (526-EK)	1
3	DISC	E.P.D.M.	1075181 (526-J)
		BUTYL	1075182 (526-JJ)
		VITON	1075183 (526-JV)
4	SHAFT	PVC	1075169 (526-C)
		NORYL	1075172 (526-CN)
5	SHAFT GUIDE	1075178 (526-GK)	1
6	O-RING	E.P.D.M.	1071746 (ORE-214)
		BUTYL	1071778 (ORJ-214)
		VITON	1071817 (ORV-214)
7	O-RING	BUNA N	1071673 (ORB-018)
		VITON	1071790 (ORV-018)
8	DIAPHRAGM	BUNA N 1075177 (526-FB)	1
9	O-RING	BUNA N 1071713 (ORB-251)	1
10	LWR DIA. PLATE	1075174 (526-DK)	1
11	UPR DIA. PLATE	1075173 (526-DDK)	1
12	CAP	1075167 (526-BOK)	1
13	RD. HD. MACH. SCR.	1072382 (SCS-0098)	12
14	HEX NUT	1071648 (NUS-0006)	12
15	O-RING	ETH. PROP.	1071738 (ORE-148)
		BUTYL	1071773 (ORJ-148)
		VITON	1071810 (ORV-148)
16	RETAINING RING	1075180 (526-HA)	1
17	DISC HOLDER	PVC	1075197 (526-RP)
		NORYL	1075196 (526-RN)

SEE FORM 1078152 FOR SOCKET WELD ENDS AND
FLANGED ADAPTORS

SEE REVERSE SIDE FOR CONFIGURATION OPTIONS

FORM NO. 1077656

D	NUMBER CONVERSION	1588	MSM	27NOV02
REV	DESCRIPTION	ECO	DWN	DATE APVD



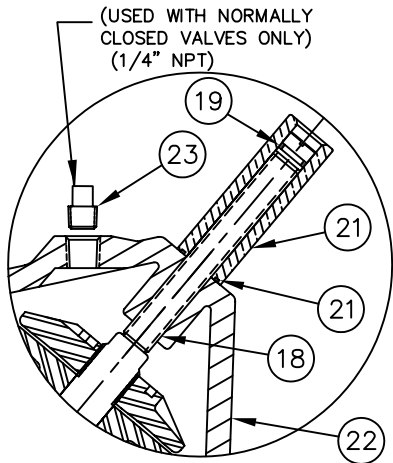
OSMONICS
ROCKFORD OPERATIONS

2412 GRANT AVENUE, ROCKFORD, IL 61103-3991 (815) 964-9421
WWW.OSMONICS.COM

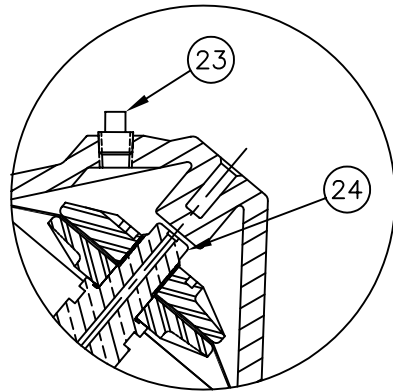
**SERIES 526 DIAPHRAGM VALVE
STANDARD MODEL**

SCALE	DRAWN	DATE	DWG. NO.
N/A	JWB	24MAY01	1084005

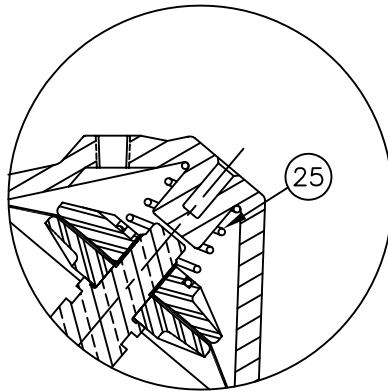
K526 DIAPHRAGM VALVE - OPTIONAL MODELS



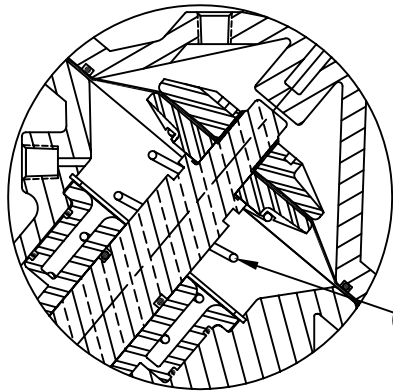
1070181 (K526-X210-14000)
LIMIT STOP



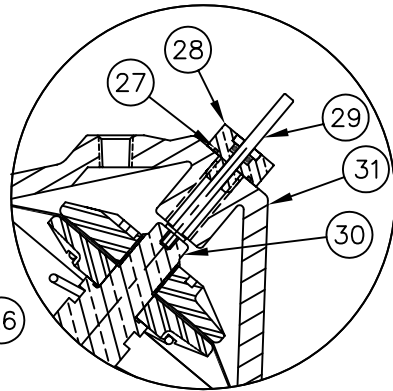
1071256 (K526-X230-14000)
NORMALLY CLOSED



1071246 (K526-X202-14000)
SPRING ASSIST CLOSED



1071242 (K526-X201-14000)
SPRING ASSIST OPEN



1071255 (K526-X221-14000)
POSITION INDICATOR

NOTE:

1. POSITION INDICATOR MODEL CANNOT BE COMBINED WITH NORMALLY CLOSED OR LIMIT STOP OPTIONS.
2. POSITION INDICATOR MODEL FURNISHED WITH SPRING ASSIST OPEN OPTION.

NO.	DESCRIPTION	PART NO.	QTY.
LIMIT STOP MODEL			
18	ADJUSTING SCREW	1075223 (526-Y)	1
19	O-RING BUNA N	1071668 (ORB-012)	1
20	LIMIT STOP HOUSING	1075222 (526-X)	1
21	O-RING BUNA N	1071671 (ORB-016)	1
22	CAP	1075165 (526-BBOK)	1
NORMALLY CLOSED MODEL			
23	PIPE PLUG (1/4" NPT)	1071913 (PLP-0010)	1
24	SHAFT (N.C.)	1075170 (526-CC)	1
SPRING ASSIST CLOSED MODEL			
25	SPRING (ASSIST CLOSED)	1075202 (526-SS)	1
SPRING ASSIST OPEN MODEL			
26	SPRING (ASSIST OPEN)	1075198 (526-S)	1
POSITION INDICATOR MODEL			
27	O-RING BUNA N	1071671 (ORB-016)	1
28	GUIDE HOUSING ASSY	1075038 (521-KB)	1
29	INDICATOR SHAFT	1075184 (526-KD)	1
30	SHAFT	1075171 (526-CD)	1
31	CAP	1075165 (526-BBOK)	1


SEE FORM 1078152 FOR SOCKET WELD ENDS AND FLANGED ADAPTORS

CONVERSION KITS	
DESCRIPTION	PART NO.
CONVERSION KIT (LIMIT STOP) CONSISTS OF ITEM NO'S 18 THRU 22	1071225 (K526-LSC)
CONVERSION KIT (SPRING ASSIST CLOSED) CONSISTS OF ITEM NO. 27	1075200 (526-SC)
CONVERSION KIT (SPRING ASSIST OPEN) CONSISTS OF ITEM NO. 28	1071227 (K526-SO)
CONVERSION KIT (POSITION INDICATOR) CONSISTS OF ITEM NO'S 27 THRU 31	1079674 (K526-PIC)

REPAIR PARTS KITS	
DESCRIPTION	PART NO.
INT. PARTS KIT (LIMIT STOP) CONSISTS OF ITEM NO'S 18 THRU 21	1075191 (526-LS)
INT. PARTS KIT (NORM. CLOSED) CONSISTS OF ITEM NO'S 2,5,10,11,24	1071226 (K526-RG)
INT. PARTS KIT (SPRING ASSIST CLOSED) CONSISTS OF ITEM NO. 25	1075200 (526-SC)
INT. PARTS KIT (SPRING ASSIST OPEN) CONSISTS OF ITEM NO. 26	1071227 (K526-SO)
INT. PARTS KIT (POSITION INDICATOR) CONSISTS OF ITEM NO'S 27 THRU 30	1081804 (526-PI)

SEE REVERSE SIDE FOR STANDARD NORMALLY OPEN MODEL

FORM NO. 1077656

D	NUMBER	CONVERSION	1588	MSM	27NOV02
REV	DESCRIPTION	ECO	DWN	DATE	APV
 OSMONICS ROCKFORD OPERATIONS 2412 GRANT AVENUE, ROCKFORD, ILL. 61103-3991 (815) 964-9421 WWW.OSMONICS.COM					
SERIES 526 DIAPHRAGM VALVE					
OPTIONAL MODELS					
SCALE	N/A	DRAWN	JWB	DATE	24MAY01
				DWG. NO.	1084005