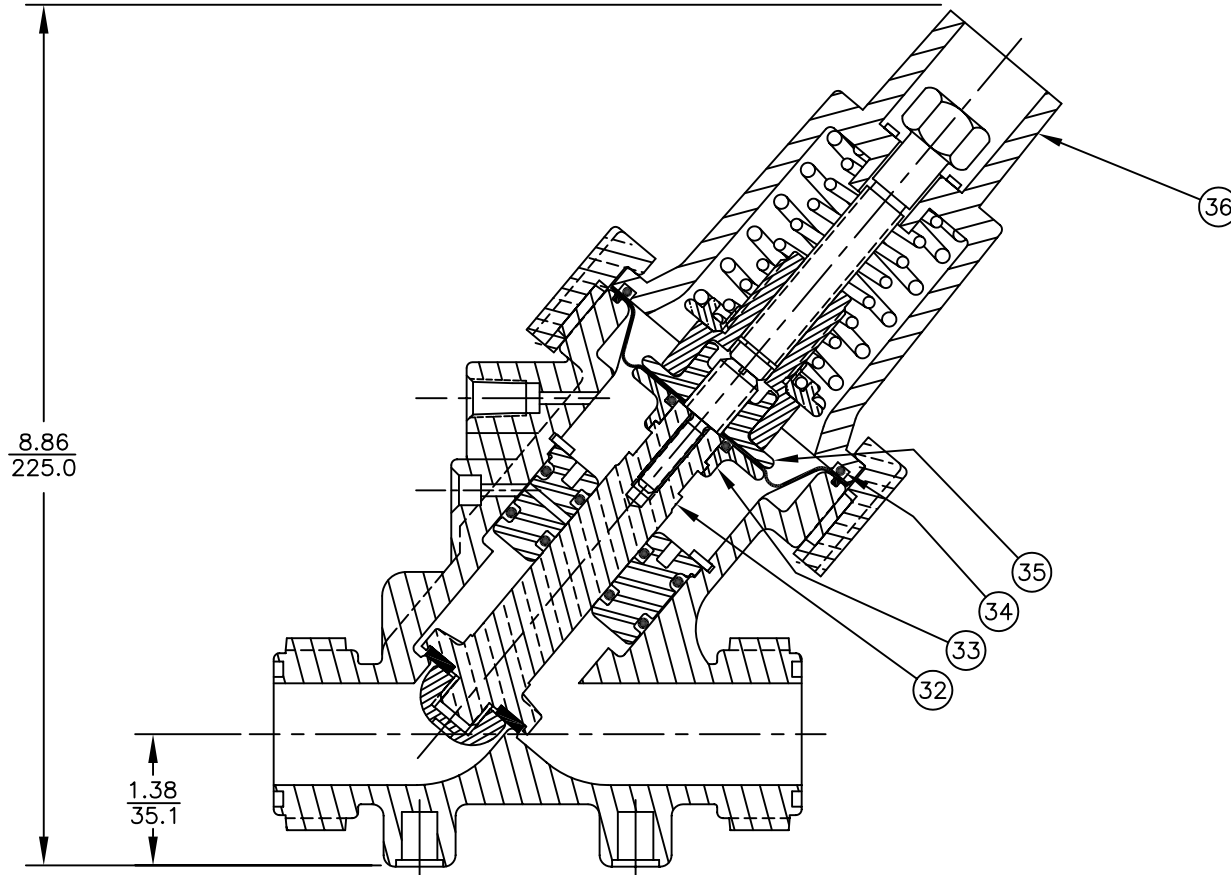


K531 DIAPHRAGM VALVE - FAILSAFE MODEL

NO.	DESCRIPTION	PART NO.	QTY.
32	SHAFT	1073296 (V531-532)	1
33	LOWER DIAPHRAGM PLATE	1073290 (V531-446)	1
34	O-RING	BUNA N 1071700 (ORB-208)	1
		FKM 1071814 (ORV-208)	
35	UPPER DIAPHRAGM PLATE	1073289 (V531-441)	1
	CAP ASSEMBLY - 30#	1071263 (K531-FS3)	1
36	CAP ASSEMBLY - 60#	1071264 (K531-FS6)	
	CAP ASSEMBLY - 100#	1071262 (K531-FS1)	

NOTE:
DUE TO SPRING ASSEMBLY REQUIREMENTS,
CAP ASSEMBLY SOLD AS ASSEMBLY ONLY.



- 1079700 (K531-X203-14000) (30 PSI - 2 BAR)
- 1071291 (K531-X204-14000) (60 PSI - 4 BAR)
- 1071294 (K531-X205-14000) (100 PSI - 7 BAR)

FAILSAFE CLOSED

INCHES
MILLIMETERS

PRINTED IN U.S.A.

SEE DWG. NO. 1084007 FOR STANDARD MODEL

FORM NO. 1078167

B	NUMBER CONVERSION	1588	MSM	27NOV02	
REV	DESCRIPTION	ECO	DWN	DATE	APVD



OSMONICS

ROCKFORD OPERATIONS

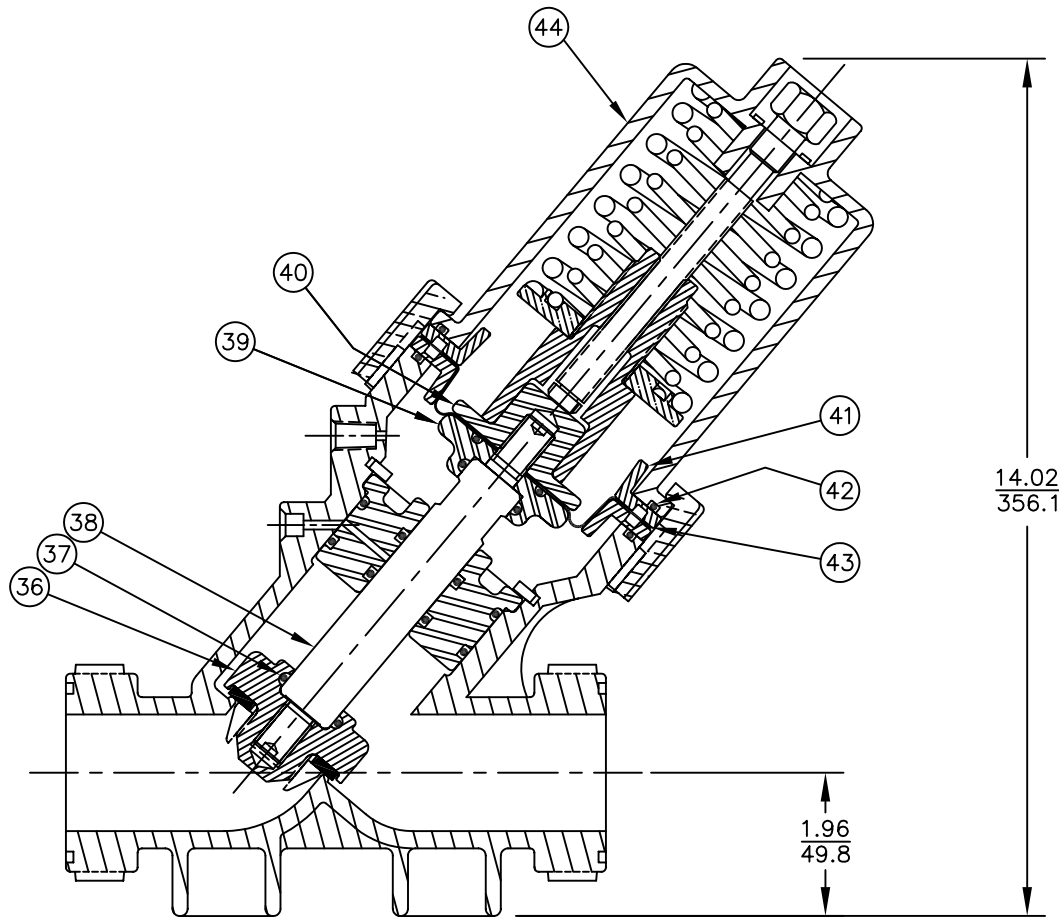
2412 GRANT AVENUE, ROCKFORD, IL 61103-3991 (815) 964-9421
WWW.OSMONICS.COM

SERIES 531 DIAPHRAGM VALVE

FAILSAFE MODEL

SCALE	DRAWN	DATE	DWG. NO.
N/A	JWB	26JUN01	1084008

K534 DIAPHRAGM VALVE - FAILSAFE MODEL



NO.	DESCRIPTION	PART NO.	QTY.
36	DISC HOLDER	PVC 1073355 (V534-502)	1
		NORYL 1073356 (V534-503)	
37	O-RING	E.P.D.M. 1071745 (ORE-212)	1
		FKM 1071816 (ORV-212)	
		BUTYL 1071777 (ORJ-212)	
38	SHAFT	PVC 1073378 (V534-701)	1
		NORYL 1073379 (V534-702)	
39	LOWER DIAPHRAGM PLATE	1073349 (V534-448)	1
40	UPPER DIAPHRAGM PLATE	1073348 (V534-444)	1
41	DIAPHRAGM SUPPORT	1073366 (V534-551K)	1
42	DIAPHRAGM	BUNA 1073335 (V534-102)	1
		FKM 1073336 (V534-103)	
43	O-RING	BUNA 1071709 (ORB-240)	1
		FKM 1071830 (ORV-240)	
CAP ASSEMBLY - 30#		1071306 (K534-FS3)	1
CAP ASSEMBLY - 60#		1071307 (K534-FS6)	
CAP ASSEMBLY - 100#		1071305 (K534-FS1)	

NOTE:
DUE TO SPRING ASSEMBLY REQUIREMENTS,
CAP ASSEMBLY SOLD AS ASSEMBLY ONLY.


- 1079718 (K534-X203-14000) (30 PSI - 2 BAR)
- 1071334 (K534-X204-14000) (60 PSI - 4 BAR)
- 1071335 (K534-X205-14000) (100 PSI - 7 BAR)

FAILSAFE CLOSED

INCHES
MILLIMETERS

SEE DWG. NO. 1084009 FOR STANDARD MODEL

FORM NO. 1078167

B	NUMBER	CONVERSION	1588	MSM	27NOV02
REV	DESCRIPTION	ECO	DWN	DATE	APVD
 OSMONICS <small>ROCKFORD OPERATIONS</small> <small>2412 GRANT AVENUE, ROCKFORD, IL 61103-3991 (815) 964-9421</small> <small>WWW.OSMONICS.COM</small>					
SERIES 534 DIAPHRAGM VALVE FAILSAFE MODEL					
SCALE	DRAWN	DATE	DWG. NO.		
N/A	JWB	26JUN01	1084008		