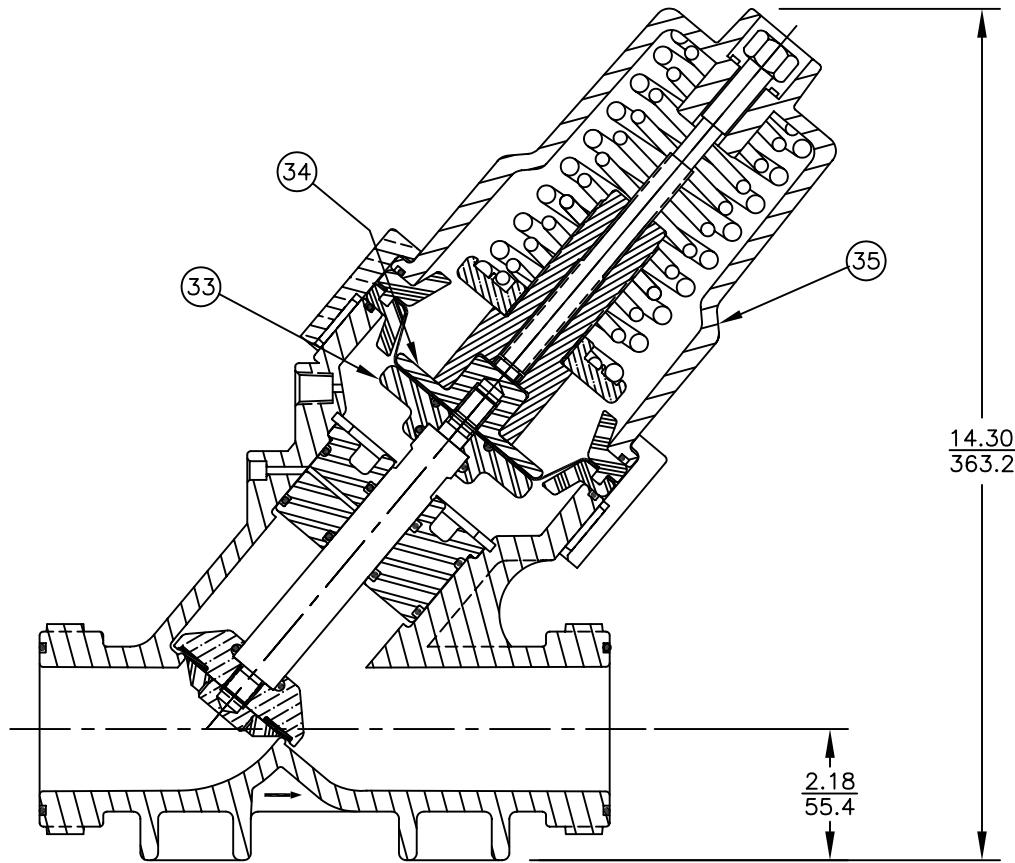


K535 DIAPHRAGM VALVE - FAILSAFE MODEL

NO.	DESCRIPTION	PART NO.	QTY.
33	LOWER DIAPHRAGM PLATE	1073412 (V535-448)	1
34	UPPER DIAPHRAGM PLATE	1073411 (V535-444)	1
44	CAP ASSEMBLY - 30#	1071341 (K535-FS3)	1
	CAP ASSEMBLY - 60#	1071342 (K535-FS6)	
	CAP ASSEMBLY - 100#	1071340 (K535-FS1)	

NOTE:
DUE TO SPRING ASSEMBLY REQUIREMENTS,
CAP ASSEMBLY SOLD AS ASSEMBLY ONLY.



- 1076665 (K535-X203-14000) (30 PSI - 2 BAR)
- 1071368 (K535-X204-14000) (60 PSI - 4 BAR)
- 1071371 (K535-X205-14000) (100 PSI - 7 BAR)

FAILSAFE CLOSED

INCHES
MILLIMETERS

SEE DWG. NO. 1084010 FOR STANDARD MODEL

FORM NO. 1078168

B	NUMBER	CONVERSION	1588	MSM	27NOV02
REV	DESCRIPTION	ECO	DWN	DATE	APVD



OSMONICS
ROCKFORD OPERATIONS

2412 GRANT AVENUE, ROCKFORD, IL 61103-3991 (815) 964-9421
WWW.OSMONICS.COM

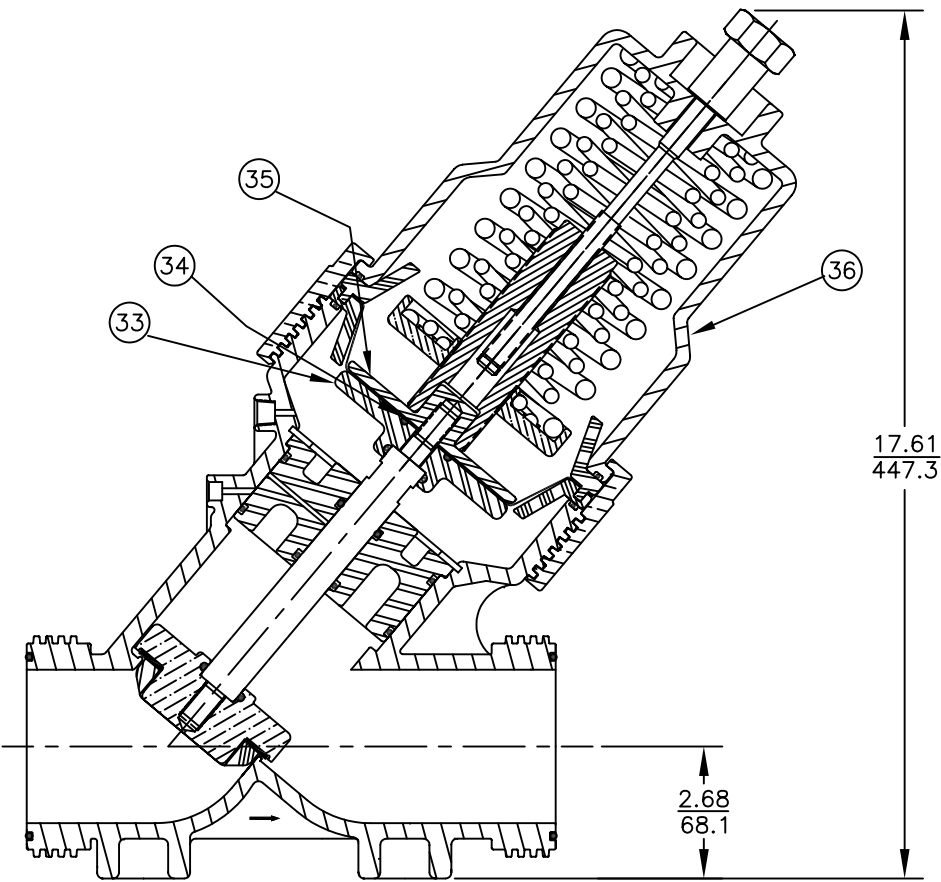
**SERIES 535 DIAPHRAGM VALVE
FAILSAFE MODEL**

SCALE	DRAWN	DATE	DWG. NO.
N/A	JWB	26JUN01	1084011

K537 DIAPHRAGM VALVE - FAILSAFE MODEL

NO.	DESCRIPTION	PART NO.	QTY.
33	LOWER DIAPHRAGM PLATE	1073477 (V537-447)	1
34	O-RING	BUNA 1076766 (ORB-214)	1
		FKM 1071817 (ORV-214)	
35	UPPER DIAPHRAGM PLATE	1073476 (V537-444)	1
36	CAP ASSEMBLY - 30#	1071375 (K537-FS3)	1
	CAP ASSEMBLY - 60#	1071376 (K535-FS6)	
	CAP ASSEMBLY - 100#	1071374 (K535-FS1)	

NOTE:
DUE TO SPRING ASSEMBLY REQUIREMENTS,
CAP ASSEMBLY SOLD AS ASSEMBLY ONLY.




SEE DWG. NO. 1084012 FOR STANDARD MODEL

FORM NO. 1078168

- 1071392 (K537-X203-14000) (30 PSI - 2 BAR)
- 1071393 (K537-X204-14000) (60 PSI - 4 BAR)
- 1071396 (K537-X205-14000) (100 PSI - 7 BAR)

INCHES
MILLIMETERS

FAILSAFE CLOSED

REV	DESCRIPTION	ECO	DWN	DATE	APVD
B	NUMBER CONVERSION	1588	MSM	27NOV02	
 OSMONICS ROCKFORD OPERATIONS 2412 GRANT AVENUE, ROCKFORD, IL 61103-3991 (815) 964-9421 WWW.OSMONICS.COM					
SERIES 537 DIAPHRAGM VALVE FAILSAFE MODEL					
SCALE	DRAWN	DATE	DWG. NO.		
N/A	JWB	26JUN01	1084011		