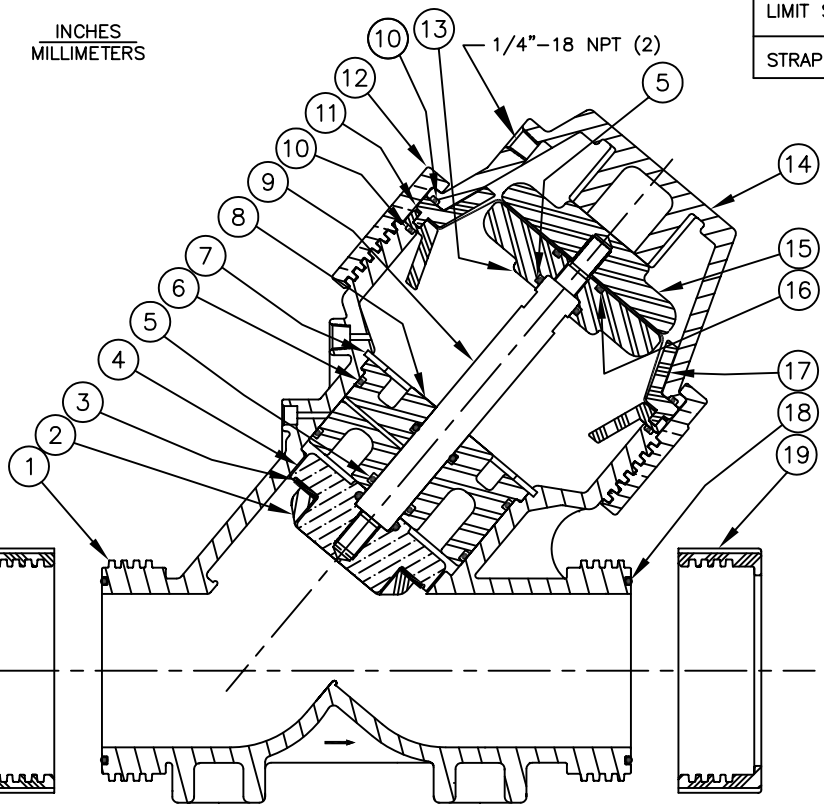


INCHES
MILLIMETERS

REPAIR PARTS KITS	
DESCRIPTION	PART NO.
DIAPHRAGM & SEALS KIT CONSISTS OF ITEM NO'S 3,5,6,10,11,16,18	1070321 (537-RAE) E.P.D.M. INCLUDES DIAPHRAGM
	1073462 (V537-100)
	1070337 (537-RAVFB) FKM INCLUDES DIAPHRAGM
1073462 (V537-100)	
INT. PARTS KIT CONSISTS OF ITEM NO'S 2,4,7,8,9,13,15,17	1070345 (K537-RF)

ASSEMBLY TOOLS	
DESCRIPTION	PART NO.
LIMIT STOP TOOL (TOOL NOT SHOWN)	1013556 (V560-579)
STRAP WRENCH (TOOL NOT SHOWN)	1073557 (V560-581)

NO.	DESCRIPTION	PART NO.	QTY.
1	BODY	1073472 (V537-410K)	1
2	DISC PLATE	PVC 1073459 (V537-093)	1
		NORYL 1073460 (V537-094)	
3	DISC	E.P.D.M. 1073463 (V537-110)	1
		FKM 1073465 (V537-112)	
4	DISC HOLDER	NORYL 1073482 (V537-502)	1
5	O-RING	E.P.D.M. 1071745 (ORE-212)	4
		FKM 1071816 (ORV-212)	
6	O-RING	E.P.D.M. 1071757 (ORE-240)	2
		FKM 1071830 (ORV-240)	
7	RETAINING RING	1073505 (V537-598)	1
8	SHAFT GUIDE	PVC 1073478 (V537-491)	1
		NORYL 1073479 (V537-492)	
9	SHAFT	PVC 1073508 (V537-702)	1
		NORYL 1073509 (V537-704)	
10	O-RING	BUNA 1071714 (ORB-259)	2
		FKM 1071834 (ORV-259)	
11	DIAPHRAGM	BUNA 1073462 (V537-100)	1
12	CAP RETAINER NUT	1073446 (V537-030K)	1
13	LWR DIA. PLATE	NORYL 1073450 (V537-046)	1
14	CAP	1073445 (V537-020K)	1
15	UPR DIA. PLATE	NORYL 1073448 (V537-041)	1
16	O-RING	FKM 1071791 (ORV-024)	1
17	DIAPHRAGM SUPPORT	1073491 (V537-551K)	2
18	O-RING	E.P.D.M. 1071756 (ORE-239)	2
		FKM 1071829 (ORV-239)	
19	SOCKET RETAINING NUT	1073458 (V537-080K)	2




1070316 (K537-X200-14000)

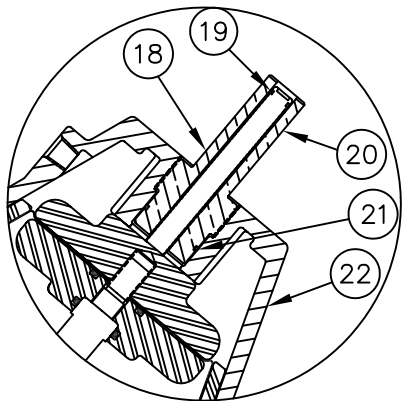
NORMALLY OPEN (STANDARD)

NOTE:
CONNECTORS NOT FURNISHED WITH VALVE.
SEE DWG. NO. 1078165 FOR FEMALE SOCKET
WELD CONNECTORS.

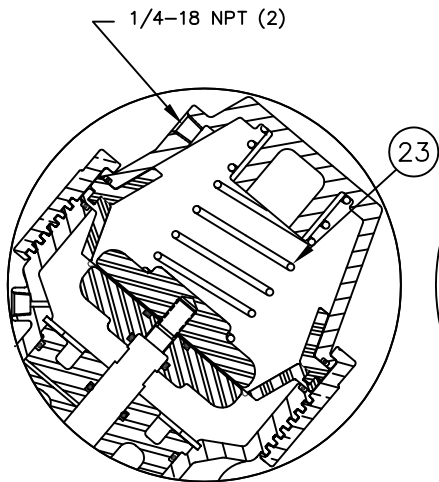
SEE REVERSE SIDE FOR CONFIGURATION OPTIONS

FORM NO. 1077691

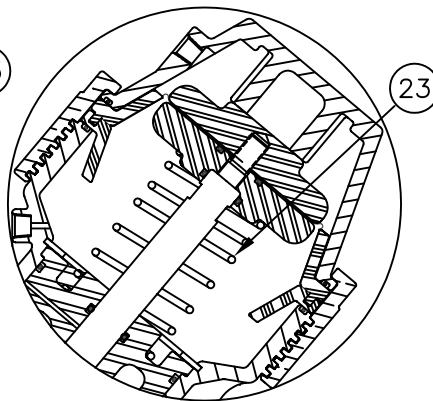
E	REMOVED BUTYL SEALS OPTION	1576	MSM	24SEP03	
REV	DESCRIPTION	ECO	DWN	DATE	APVD
 OSMONICS ROCKFORD OPERATIONS 2412 GRANT AVENUE, ROCKFORD, IL 61103-3991 (815) 964-9421 WWW.OSMONICS.COM					
SERIES 537 DIAPHRAGM VALVE STANDARD MODEL					
SCALE	DRAWN	DATE	DWG. NO.		
N/A	JWB	21JUN01	1084012		



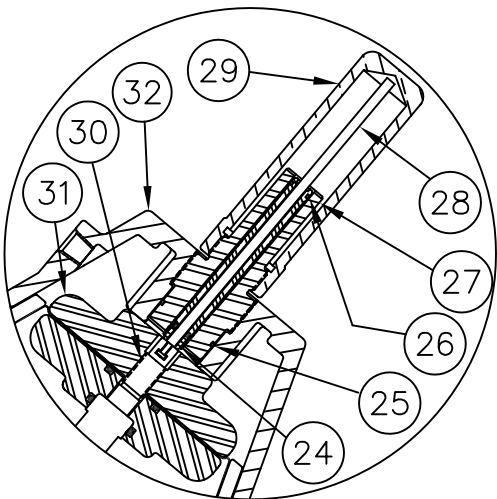
1070317 (K537-X210-14000)
LIMIT STOP



1071391 (K537-X202-14000)
SPRING ASSIST CLOSED



1071390 (K537-X201-14000)
SPRING ASSIST OPEN



K537-X221-14000
**LIMIT STOP/
POSITION INDICATOR**


REPAIR PARTS KITS	
DESCRIPTION	PART NO.
INT. PARTS KIT (LIMIT STOP) CONSISTS OF ITEM NO'S 18 THRU 21	1075237 (537-LS)
INT. PARTS KIT (SPRING ASSIST CLOSED) CONSISTS OF ITEM NO. 23	1075239 (537-S)
INT. PARTS KIT (SPRING ASSIST OPEN) CONSISTS OF ITEM NO. 23	1075239 (537-S)
INT. PARTS KIT (LIMIT STOP/POS INDICATOR) CONSISTS OF ITEM NO'S 24 THRU 31	1081805 (537-PI)

CONVERSION KITS	
DESCRIPTION	PART NO.
CONVERSION KIT (LIMIT STOP) CONSISTS OF ITEM NO'S 18 THRU 22	1071377 (K537-LSC)
CONVERSION KIT (SPRING ASSIST CLOSED) CONSISTS OF ITEM NO. 23	1075239 (537-S)
CONVERSION KIT (SPRING ASSIST OPEN) CONSISTS OF ITEM NO. 23	1075239 (537-S)
CONVERSION KIT (POSITION INDICATOR) CONSISTS OF ITEM NO'S 24 THRU 32	1071378 (K537-PIC)

NO.	DESCRIPTION	PART NO.	QTY.
LIMIT STOP MODEL			
18	ADJUSTING SCREW	1073498 (V537-576)	1
19	O-RING	BUNA N 1071668 (ORB-012)	1
		FKM 1071787 (ORV-012)	
20	LS GUIDE	PVC 1073494 (V537-571)	1
		CPVC 1073496 (V537-573)	
21	O-RING	BUNA N 1071676 (ORB-024)	1
		FKM 1071791 (ORV-024)	
22	CAP	1073473 (V537-420K)	1
SPRING ASSIST CLOSED MODEL & SPRING ASSIST OPEN MODEL			
23	SPRING	1073467 (V537-170)	1
LIMIT STOP/ POSITION INDICATOR MODEL			
24	SCREW ASSY	1073506 (V537-700)	1
25	O-RING	BUNA N 1071676 (ORB-024)	1
		FKM 1071791 (ORV-024)	
26	O-RING	BUNA N 1071668 (ORB-012)	1
		FKM 1071787 (ORV-012)	
27	LS/PI GUIDE	PVC 1073493 (V537-570)	1
		CPVC 1073495 (V537-572)	
28	INDICATOR SHAFT	1073492 (V537-555)	1
29	PI CLEAR CAP	1073489 (V537-550)	1
30	SHAFT	PVC 1073507 (V537-701)	1
		NORYL 1077454 (V537-706)	
31	UPR DIA. PLATE	1073475 (V537-443)	1
32	CAP	1073473 (V537-420K)	1

SEE REVERSE SIDE FOR
STANDARD NORMALLY OPEN MODEL

FORM NO. 1077691

E	REMOVED BUTYL SEALS OPTION	1576	MSM	24SEP03	
REV	DESCRIPTION	ECO	DWN	DATE	APVD
 OSMONICS ROCKFORD OPERATIONS 2412 GRANT AVENUE, ROCKFORD, IL 61103-3991 (815) 964-9421 WWW.OSMONICS.COM					
SERIES 537 DIAPHRAGM VALVE OPTIONAL MODELS					
SCALE	DRAWN	DATE	DWG. NO.		
N/A	JWB	21JUN01	1084012		