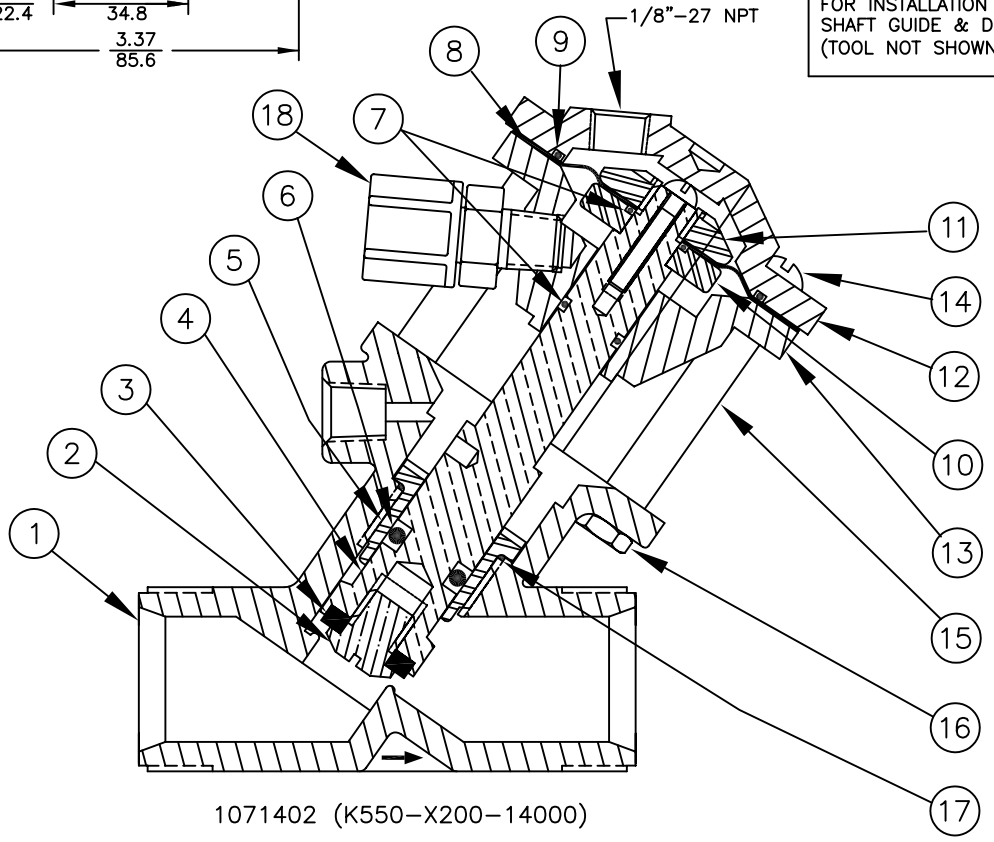


REPAIR PARTS KITS	
DESCRIPTION	PART NO.
DIAPHRAGM & SEALS KIT CONSISTS OF ITEM NO'S 3,6,7,8,9,17	1075341 (5520-RAE) 1075342 (5520-RAJ)
	E.P.D.M. BUTYL INCLUDES INCLUDES DIAPHRAGM DIAPHRAGM 1074962 (520-FB) 1074962 (520-FB)
	1075343 (5520-RAV)
	FKM INCLUDES DIAPHRAGM 1074962 (520-FB)
INT. PARTS KIT (NORM. OPEN) CONSISTS OF ITEM NO'S 2,4,5,10,11,18	1071432 (K5520-RF)

ASSEMBLY TOOLS	
DESCRIPTION	PART NO.
FOR INSTALLATION & REMOVAL OF SHAFT GUIDE & DIAPHRAGM PLATE (TOOL NOT SHOWN)	1074989 (520-Z)

NO.	DESCRIPTION	PART NO.	QTY.
1	BODY	1074943 (520-AK)	1
2	DISC SCREW	1074961 (520-EK)	1
3	DISC	E.P.D.M. 1074966 (520-J)	1
		BUTYL 1074967 (520-JJ)	
		FKM 1074968 (520-JV)	
4	SHAFT	1075335 (5520-CD)	1
5	SHAFT GUIDE	PVC 1074965 (520-GP)	1
		NORYL 1074964 (520-GN)	
6	O-RING	E.P.D.M. 1071740 (ORE-204)	1
		BUTYL 1071774 (ORJ-204)	
		FKM 1071812 (ORV-204)	
7	O-RING	BUNA 1071668 (ORB-012)	2
8	DIAPHRAGM	BUNA 1074962 (520-FB)	1
		FKM 1074963 (520-FV)	
9	O-RING	BUNA 1071679 (ORB-030)	1
10	LOWER DIA. PLATE	1075339 (5520-F)	1
11	UPPER DIA. PLATE	1074958 (520-DDK)	1
12	CAP	1074948 (520-B0K)	1
13	BOTTOM CAP	1075334 (5520-B)	1
14	RD. HD. MACH. SCR	1072379 (SCS-0094)	6
15	STANDOFF	1075338 (5520-E)	3
16	HEX NUT	1071647 (NUS-0005)	6
17	O-RING	E.P.D.M. 1071720 (ORE-018)	1
		BUTYL 1071762 (ORJ-018)	
		FKM 1071790 (ORV-018)	
18	1/8"NPTX1/4" TUBE FITING	1071935 (PTP-0001)	1




1071402 (K550-X200-14000)

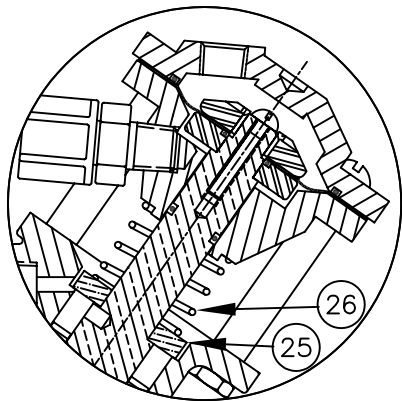
NORMALLY OPEN

SEE SHEET 1078140 FOR UNION END CONNECTORS,
SEE SHEET 1078141 FOR GROOVED ADAPTORS,

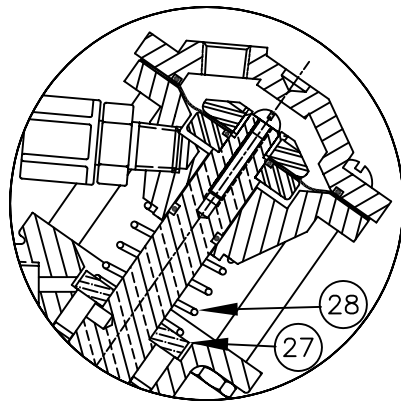
SEE REVERSE SIDE FOR CONFIGURATION OPTIONS

FORM NO. 1077692

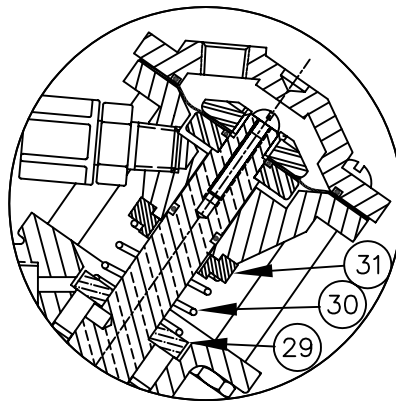
D	NUMBER	CONVERSION	1588	MSM	27NOV02
REV	DESCRIPTION		ECO	DWN	DATE APVD
 OSMONICS ROCKFORD OPERATIONS 2412 GRANT AVENUE, ROCKFORD, IL 61103-3991 (815) 964-9421 WWW.OSMONICS.COM					
SERIES 5520 DIAPHRAGM VALVE					
STANDARD MODEL					
SCALE	DRAWN	DATE	DWG. NO.		
N/A	JWB	20JUL01	1084013		



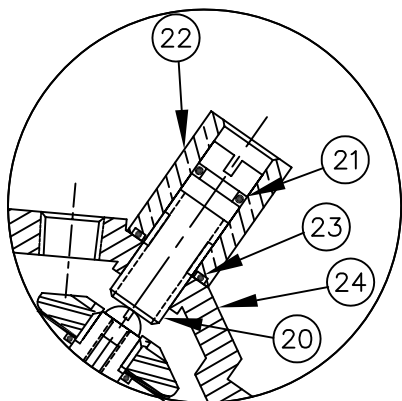
1071406 (K550-X203-14000)
FAILSAFE
SPRING CLOSED 30 PSI



1071409 (K550-X204-14000)
FAILSAFE
SPRING CLOSED 60 PSI



10714125 (K550-X205-14000)
FAILSAFE
SPRING CLOSED 100 PSI



1071414 (K550-X214-14000)
LIMIT STOP

NO.	DESCRIPTION	PART NO.	QTY.
LIMIT STOP MODEL			
20	ADJUSTING SCREW	1074988 (520-Y)	1
21	O-RING BUNA N	1071667 (ORB-010)	1
22	LIMIT STOP HOUSING	1074987 (520-X)	1
23	O-RING BUNA N	1071669 (ORB-013)	1
24	CAP	1074946 (520-BBOK)	1
FAILSAFE SPRING CLOSED - 30 PSI			
25	LOWER SPRING RETAINER	1075344 (5520-RK)	1
26	SPRING	1075345 (5520-SA)	1
FAILSAFE SPRING CLOSED - 60 PSI			
27	LOWER SPRING RETAINER	1075344 (5520-RK)	1
28	SPRING	1075053 (521-SB)	1
FAILSAFE SPRING CLOSED - 100 PSI			
29	LOWER SPRING RETAINER	1075344 (5520-RK)	1
30	SPRING	1075053 (521-SB)	1
31	UPPER SPRING RETAINER	1075337 (5520-D)	1

NOTE:

- LIMIT STOP OPTION ONLY OFFERED ON FAIL SAFE SPRING CLOSED MODELS.
- FAILSAFE OPTION NOT OFFERED IN CONVERSION KIT FORM DUE TO SPECIAL ASSEMBLY REQUIREMENTS.


SEE SHEET 1078140 FOR UNION END CONNECTORS,
 SEE SHEET 1078141 FOR GROOVED ADAPTORS,

SEE REVERSE SIDE FOR
 STANDARD NORMALLY OPEN MODEL

FORM NO. 1077692

REPAIR PARTS KITS	
DESCRIPTION	PART NO.
INT. PARTS KIT (LIMIT STOP) CONSISTS OF ITEM NO'S 20 THRU 23	1074973 (520-LS)

CONVERSION KITS	
DESCRIPTION	PART NO.
CONVERSION PARTS KIT (LIMIT STOP) CONSISTS OF ITEM NO'S 20 THRU 24	1071056 (K520-LSC)

D	NUMBER	CONVERSION	1588	MSM	27NOV02	
REV	DESCRIPTION		ECO	DWN	DATE	APVD
 OSMONICS ROCKFORD OPERATIONS 2412 GRANT AVENUE, ROCKFORD, IL 61103-3991 (815) 964-9421 WWW.OSMONICS.COM						
SERIES 5520 DIAPHRAGM VALVE						
OPTIONAL MODELS						
SCALE	DRAWN	DATE	DWG. NO.			
N/A	JWB	20JUL01	1084013			