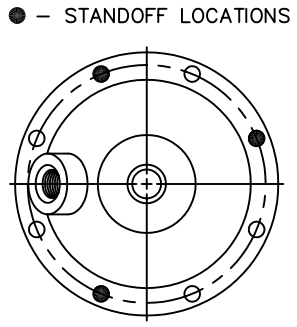
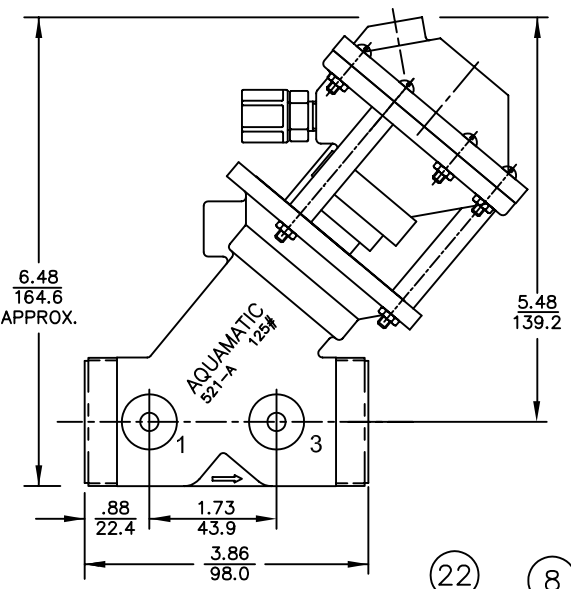
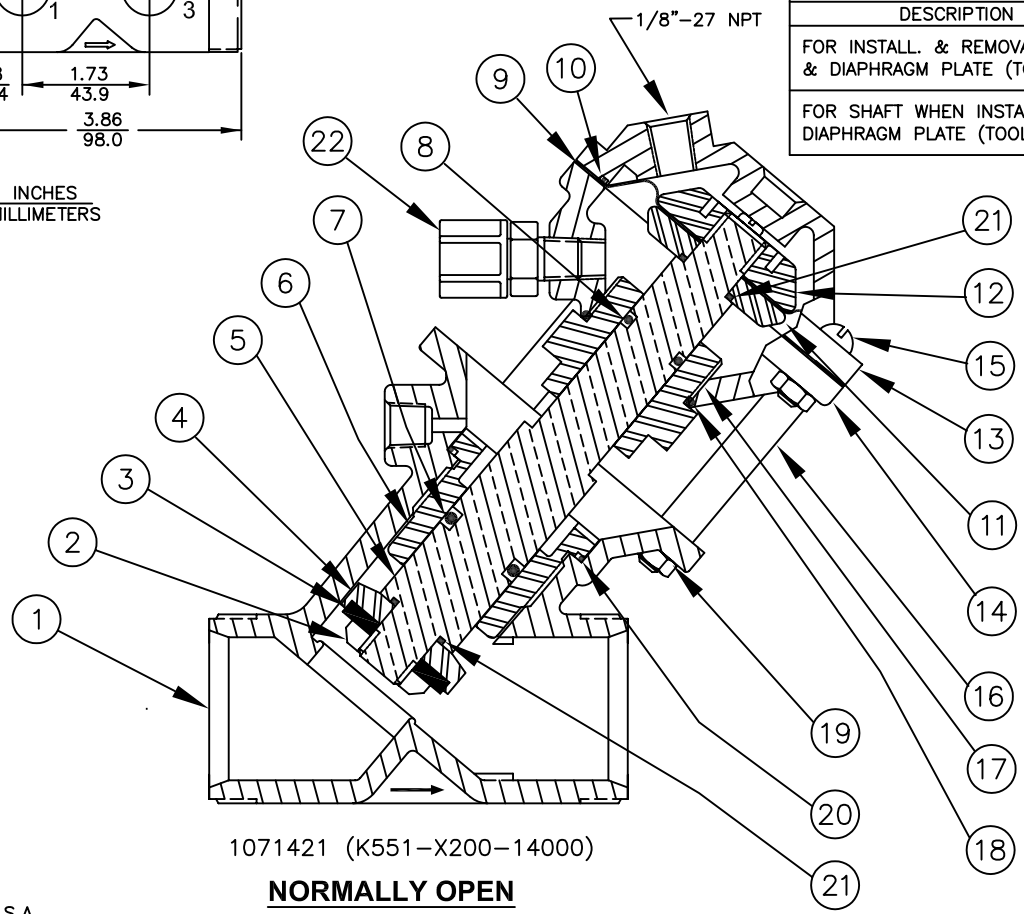


K5521 DIAPHRAGM VALVE - STANDARD MODEL



INCHES
MILLIMETERS



1071421 (K551-X200-14000)

NORMALLY OPEN

PRINTED IN U.S.A.

REPAIR PARTS KITS		
DESCRIPTION	PART NO.	
DIAPHRAGM & SEALS KIT CONSISTS OF ITEM NO'S 3,7,8,9,10,18,20,21	1075361 (5521-RAE)	1075362 (5521-RAJ)
	E.P.D.M. INCLUDES DIAPHRAGM	BUTYL INCLUDES DIAPHRAGM
	1075028 (521-FB)	1075028 (521-FB)
	1075363 (5521-RAV)	
	FKM INCLUDES DIAPHRAGM 1075028 (521-FB)	
INT. PARTS KIT (NORM. OPEN) CONSISTS OF ITEM NO'S 2,4,5,6,11,12,17	1071433 (K5521-RF)	

ASSEMBLY TOOLS	
DESCRIPTION	PART NO.
FOR INSTALL. & REMOVAL OF SHAFT GUIDE & DIAPHRAGM PLATE (TOOL NOT SHOWN)	1075059 (521-Z)
FOR SHAFT WHEN INSTALL. OR REMOVING DIAPHRAGM PLATE (TOOL NOT SHOWN)	1075060 (521-ZA)

NO.	DESCRIPTION	PART NO.	QTY.
1	BODY	1075007 (521-AK)	1
2	DISC SCREW	1075358 (5521-P)	1
3	DISC	E.P.D.M. 1075033 (521-J)	1
		BUTYL 1075034 (521-JJ)	
		FKM 1075036 (521-JV)	
4	DISC HOLDER	1075360 (5521-R)	1
5	SHAFT	1075349 (5521-CB)	1
6	SHAFT GUIDE	PVC 1075031 (521-GP0)	1
		NORYL 1075030 (521-GN0)	
7	O-RING	E.P.D.M. 1071743 (ORE-208)	1
		BUTYL 1071775 (ORJ-208)	
		FKM 1071814 (ORV-208)	
8	O-RING	BUNA 1071690 (ORB-112)	1
9	DIAPHRAGM	BUNA 1075028 (521-FB)	1
		FKM 1075029 (521-FV)	
10	O-RING	BUNA 1071715 (ORB-805)	1
11	LOWER DIA. PLATE	1075355 (5521-FK)	1
12	UPPER DIA. PLATE	1075022 (521-DDK)	1
13	CAP	1075012 (521-BOK)	1
14	BOTTOM CAP	1075348 (5521-BK)	1
15	RD. HD. MACH. SCR.	1072380 (SCS-0095)	8
16	STANDOFF	1075354 (5521-E)	3
17	GUIDE BUSHING	1075357 (5521-GG)	1
18	O-RING	1071677 (ORB-025)	1
19	HEX NUT	1071648 (NUS-0006)	8
20	O-RING	E.P.D.M. 1071942 (QRE-029)	1
		BUTYL 1071943 (QRJ-029)	
		FKM 1071944 (QRV-029)	
21	O-RING	E.P.D.M. 1071718 (ORE-014)	2
		BUTYL 1071760 (ORJ-014)	
		FKM 1071788 (ORV-014)	
22	1/8"NPTX1/4" TUBE FITNG	1071935 (PTP-0001)	1

SEE SHEET 1078142 FOR UNION END CONNECTORS,
SEE SHEET 1078142 FOR GROOVED ADAPTORS,

SEE REVERSE SIDE FOR CONFIGURATION OPTIONS

FORM NO. 1077693

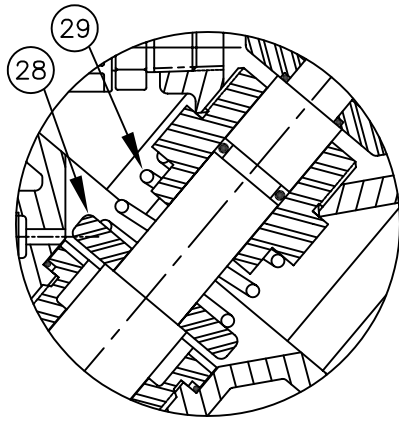
D	NUMBER CONVERSION	1588	MSM	27NOV02
REV	DESCRIPTION	ECO	DWN	DATE APVD



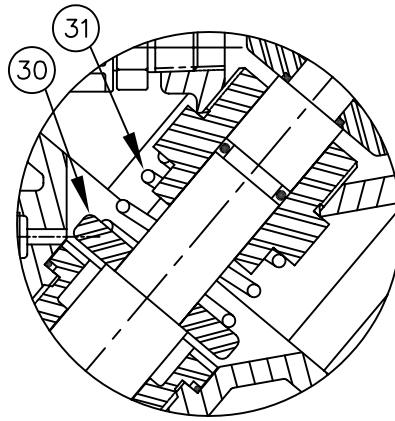
OSMONICS
ROCKFORD OPERATIONS
2412 GRANT AVENUE, ROCKFORD, IL 61103-3991 (815) 964-9421
WWW.OSMONICS.COM

**SERIES 5521 DIAPHRAGM VALVE
STANDARD MODEL**

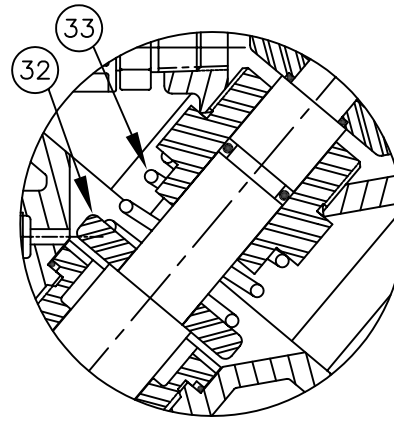
SCALE N/A	DRAWN JWB	DATE 02JUL01	DWG. NO. 1084014
--------------	--------------	-----------------	---------------------



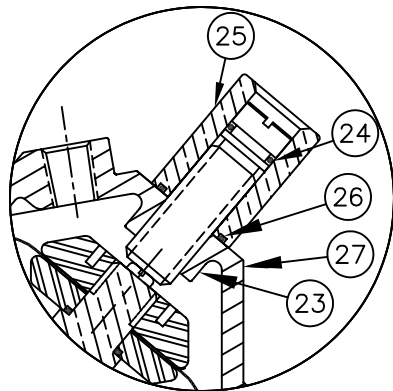
1071423 (K551-X203-14000)
FAILSAFE
SPRING CLOSED 30 PSI



1071424 (K551-X204-14000)
FAILSAFE
SPRING CLOSED 60 PSI



1071427 (K551-X205-14000)
FAILSAFE
SPRING CLOSED 100 PSI



1076708 (K551-X214-14000)
LIMIT STOP

NO.	DESCRIPTION	PART NO.	QTY.
LIMIT STOP MODEL			
23	ADJUSTING SCREW	1075058 (521-Y)	1
24	O-RING BUNA N	1071668 (ORB-012)	1
25	LIMIT STOP HOUSING	1075057 (521-X)	1
26	O-RING BUNA N	1071671 (ORB-016)	1
27	CAP	1075010 (521-BBOK)	1
FAILSAFE SPRING CLOSED - 30 PSI			
28	LWR SPRING RETAINER	1075351 (5521-D)	1
29	SPRING	1075366 (5521-SA)	1
FAILSAFE SPRING CLOSED - 60 PSI			
30	LWR SPRING RETAINER	1075351 (5521-D)	1
31	SPRING	1075370 (5521-SC60)	1
FAILSAFE SPRING CLOSED - 100 PSI			
32	LWR SPRING RETAINER	1075351 (5521-D)	1
33	SPRING	1075365 (5521-S)	1

NOTE:

- LIMIT STOP OPTION ONLY OFFERED ON FAIL SAFE SPRING CLOSED MODELS.
- FAILSAFE OPTION NOT OFFERED IN CONVERSION KIT FORM DUE TO SPECIAL ASSEMBLY REQUIREMENTS.


SEE SHEET 1078142 FOR UNION END CONNECTORS,
 SEE SHEET 1078142 FOR GROOVED ADAPTORS,

SEE REVERSE SIDE FOR
 STANDARD NORMALLY OPEN MODEL

FORM NO. 1077693

REPAIR PARTS KITS	
DESCRIPTION	PART NO.
INT. PARTS KIT (LIMIT STOP) CONSISTS OF ITEM NO'S 23 THRU 26	1075040 (521-LS)

CONVERSION KITS	
DESCRIPTION	PART NO.
CONVERSION PARTS KIT (LIMIT STOP) CONSISTS OF ITEM NO'S 23 THRU 27	1071090 (K521-LSC)

D	NUMBER	CONVERSION	1588	MSM	27NOV02
REV	DESCRIPTION	ECO	DWN	DATE	APVD
 OSMONICS ROCKFORD OPERATIONS 2412 GRANT AVENUE, ROCKFORD, IL 61103-3991 (815) 964-9421 WWW.OSMONICS.COM					
SERIES 5521 DIAPHRAGM VALVE					
OPTIONAL MODELS					
SCALE N/A	DRAWN JWB	DATE 20NOV01	DWG. NO.		1084014