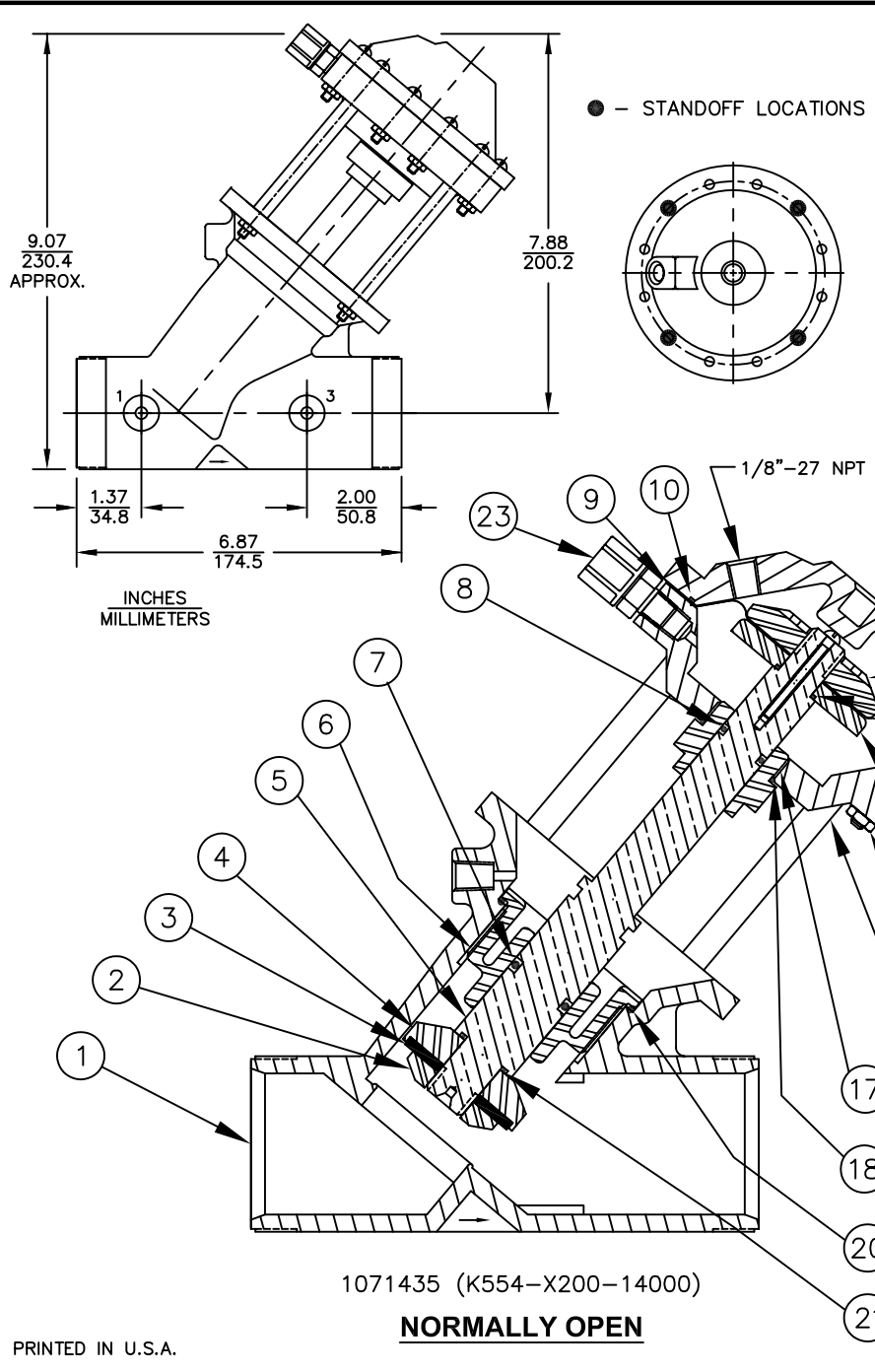


K5524 DIAPHRAGM VALVE - STANDARD MODEL



REPAIR PARTS KITS		
DESCRIPTION	PART NO.	
DIAPHRAGM & SEALS KIT CONSISTS OF ITEM NO'S 3,7,8,9,10,18,20,21,22	1075377 (5524-RAE)	1075378 (5524-RAJ)
	E.P.D.M. INCLUDES DIAPHRAGM 1075377 (524-FB)	BUTYL INCLUDES DIAPHRAGM 1075104 (524-FB)
	1075379 (5524-RAV) FKM INCLUDES DIAPHRAGM 1075104 (524-FB)	
INT. PARTS KIT (NORM. OPEN) CONSISTS OF ITEM NO'S 2,4,5,6,11,12,17	1071434 (K5524-RF)	

ASSEMBLY TOOLS	
DESCRIPTION	PART NO.
FOR INSTALL. & REMOVAL OF SHAFT GUIDE & DIAPHRAGM PLATE (TOOL NOT SHOWN)	1075143 (524-Z)
FOR SHAFT WHEN INSTALL. OR REMOVING DIAPHRAGM PLATE (TOOL NOT SHOWN)	1075060 (521-ZA)

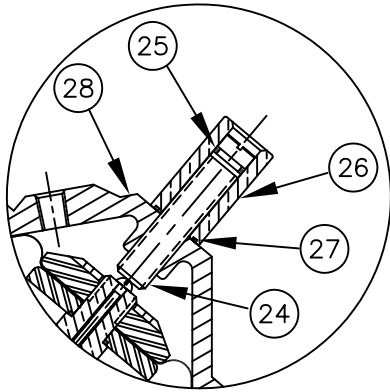
NO.	DESCRIPTION	PART NO.	QTY.
1	BODY	1075079 (524-AK)	1
2	DISC PLATE NUT	1075103 (524-EK)	1
3	DISC	E.P.D.M. 1075107 (524-J)	1
		BUTYL 1075108 (524-JJ)	
		FKM 1075109 (524-JV)	
4	DISC HOLDER	1075121 (524-RK)	1
5	SHAFT	1075372 (5524-CA)	1
6	SHAFT GUIDE	ENORYL 1075106 (524-GK)	1
		E.P.D.M. 1071744 (ORE-210)	
7	O-RING	BUTYL 1071776 (ORJ-210)	1
		FKM 1071815 (ORV-210)	
		E.P.D.M. 1071728 (ORE-113)	
8	O-RING	1071288 (ORE-113)	1
9	DIAPHRAGM	BUNA N 1075104 (524-FB)	1
		FKM 1075105 (524-FV)	
10	O-RING	BUNA N 1071686 (ORB-043)	1
11	LOWER DIA. PLATE	1075375 (5524-FK)	1
12	UPPER DIA. PLATE	1075101 (524-DDK)	1
13	CAP	1075086 (524-BOK)	1
14	BOTTOM CAP	1075371 (5524-BB)	1
15	RD. HD. MACH. SCR.	1072382 (SCS-0098)	12
16	STANDOFF	1075374 (5524-E)	4
17	GUIDE BUSHING	1075376 (5524-G)	1
18	O-RING	1071677 (ORB-025)	1
19	HEX NUT	1071648 (NUS-0006)	12
		E.P.D.M. 1071735 (ORE-137)	
20	O-RING	BUTYL 1071771 (ORJ-137)	1
		FKM 1071807 (ORV-137)	
		E.P.D.M. 1071719 (ORE-016)	
21	O-RING	BUTYL 1071761 (ORJ-016)	1
		FKM 1071789 (ORV-016)	
		BUNA N 1071670 (ORB-015)	
22	O-RING	1071670 (ORB-015)	1
23	1/8"NPT X 1/4" TUBE FITING	1071935 (PTP-0001)	1

SEE SHEET 1078142 FOR UNION END CONNECTORS,
SEE SHEET 1078142 FOR GROOVED ADAPTORS,

SEE REVERSE SIDE FOR CONFIGURATION OPTIONS

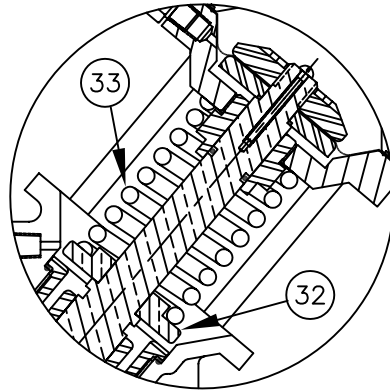
FORM NO. 1077694

D	NUMBER CONVERSION	1588	MSM	27NOV02
REV	DESCRIPTION	ECO	DWN	DATE APVD
 OSMONICS ROCKFORD OPERATIONS 2412 GRANT AVENUE, ROCKFORD, IL 61103-3991 (815) 964-9421 WWW.OSMONICS.COM				
SERIES 5524 DIAPHRAGM VALVE STANDARD MODEL				
SCALE	DRAWN	DATE	DWG. NO.	
N/A	JWB	02JUL01	1084015	



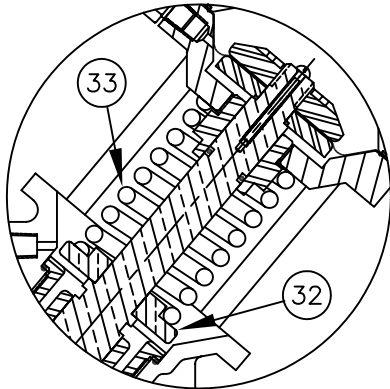
1079768 (K554-X210-14000)

LIMIT STOP



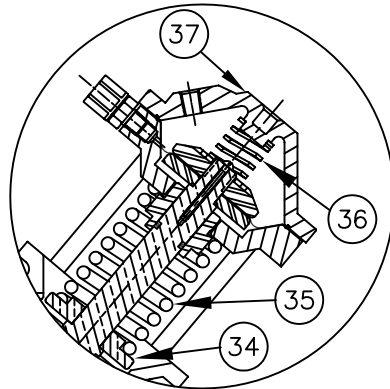
1071438 (K554-X203-14000)

**FAILSAFE
SPRING CLOSED 30 PSI**



1071439 (K554-X204-14000)

**FAILSAFE
SPRING CLOSED 60 PSI**



1071442 (K554-X205-14000)

**FAILSAFE
SPRING CLOSED 100 PSI**

NO.	DESCRIPTION	PART NO.	QTY.
LIMIT STOP MODEL			
24	ADJUSTING SCREW	1075142 (524-Y)	1
25	O-RING (BUNA N)	1071668 (ORB-012)	1
26	LIMIT STOP HOUSING	1075141 (524-X)	1
27	O-RING (BUNA N)	1071671 (ORB-016)	1
28	CAP (LIMIT STOP)	1075083 (524-BB0K)	1

FAILSAFE SPRING CLOSED - 30 PSI			
31	SPRING	1077981	1
32	LOWER SPRING RETAINER	1075373 (5524-DD)	1

FAILSAFE SPRING CLOSED - 60 PSI			
32	LOWER SPRING RETAINER	1075373 (5524-DD)	1
33	SPRING	1074705 (4424-S)	1

FAILSAFE SPRING CLOSED - 100 PSI			
34	LOWER SPRING RETAINER	1075373 (5524-DD)	1
35	SPRING	1077983	1

NOTE:

1. LIMIT STOP OPTION ONLY OFFERED ON FAIL SAFE SPRING CLOSED MODELS.
2. FAILSAFE OPTION NOT OFFERED IN CONVERSION KIT FORM DUE TO SPECIAL ASSEMBLY REQUIREMENTS.
3. LIMIT STOP CONVERSION KITS NOT OFFERED DUE TO FAILSAFE OPTION ASSEMBLY REQUIREMENTS.

SEE SHEET 1078142 FOR UNION END CONNECTORS,
SEE SHEET 1078142 FOR GROOVED ADAPTORS,

SEE REVERSE SIDE FOR
STANDARD NORMALLY OPEN MODEL

FORM NO. 1077694

D	NUMBER	CONVERSION	1588	MSM	27NOV02
REV	DESCRIPTION	ECO	DWN	DATE	APVD



OSMONICS
ROCKFORD OPERATIONS

2412 GRANT AVENUE, ROCKFORD, IL 61103-3991 (815) 964-9421
WWW.OSMONICS.COM

SERIES 5524 DIAPHRAGM VALVE

OPTIONAL MODELS

SCALE	DRAWN	DATE	DWG. NO.
N/A	JWB	02JUL01	1084015

REPAIR PARTS KITS

DESCRIPTION	PART NO.
INT. PARTS KIT (LIMIT STOP) CONSISTS OF ITEM NO'S 24 THRU 27	1075111 (524-LS)