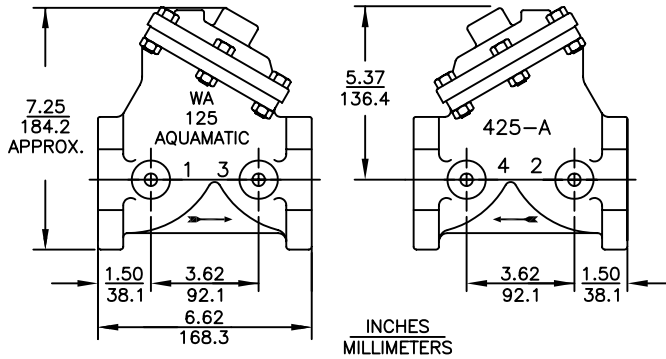
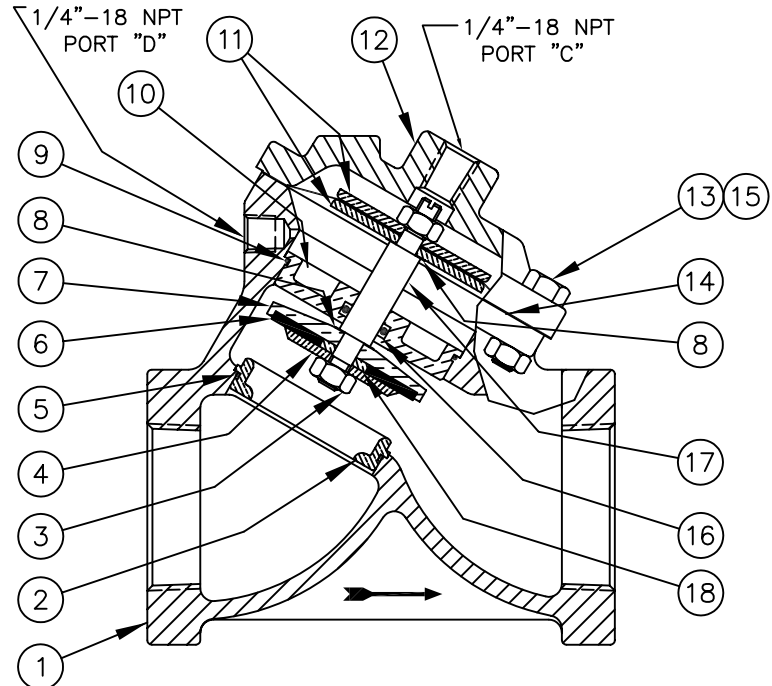


2" DIAPHRAGM VALVE - STANDARD MODEL



REPAIR PARTS KITS			
DESCRIPTION	PART NO.		
DIAPHRAGM & SEALS KIT CONSISTS OF ITEM NO'S 3(2),5,6,8(2),9,14,16	1070070 (425-RA)	1070083 (425-RAE)	1070095 (425-RAV)
	BUNA N INCLUDES DIAPHRAGM 1074296 (425-FB)	E.P.D.M. INCLUDES DIAPHRAGM 1074296 (425-FB)	FKM INCLUDES DIAPHRAGM 1074297 (425-FV)
	1070120 (425-RF)		
INT. PARTS KIT (NORM. OPEN) CONSISTS OF STANDARD ITEM NO'S 4,7,10,11(2),17,18	1070120 (425-RF)		
SEAT (ITEM NO. 2)	1074321 (425-MO)		

ASSEMBLY TOOLS	
DESCRIPTION	PART NO.
FOR INSTALLATION & REMOVAL OF SEAT (ITEM #2) (TOOL NOT SHOWN)	1074411 (426-MT)
FOR INSTALLATION & REMOVAL OF SHAFT GUIDE (ITEM #10) (TOOL NOT SHOWN)	1" HEX SOCKET




NOTE:
 1. AMERICAN NATIONAL STANDARD TAPER PIPE
 THREADS (NPT) PER ANSI B2.1-1968
 2. VALVES AVAILABLE WITH B.S.P. OR J.I.S.
 END CONNECTIONS.

1070035 (V42F-0000-00000) (2" NPT)
NORMALLY OPEN (STANDARD)

NO.	DESCRIPTION	STD	PART NO.	QTY.
1	BODY CAST IRON 2" NPT	*	1074277 (425-A)	1
2	SEAT (REQ'S ASSY TOOL) BRASS	*	1074321 (425-MO)	1
3	HEX LOCK NUT (5/16-24)	*	1071651 (NUS-0013)	2
4	DISC PLATE BRASS	*	1074220 (424-D)	1
5	O-RING	BUNA N	1071682 (ORB-035)	1
		E.P.D.M.	1071724 (ORE-035)	
		VITON	1071794 (ORV-035)	
6	DISC	BUNA N	1074307 (425-J)	1
		E.P.D.M.	1074309 (425-JE)	
		FKM	1074312 (425-JV)	
		HYCAR	1074310 (425-JH)	
7	DISC HOLDER BRASS	*	1074303 (425-H)	1
8	GASKET	COPPER	1074252 (424-R)	2
		LEAD	1074263 (424-RL)	
9	O-RING	BUNA N	1071684 (ORB-038)	1
		E.P.D.M.	1071725 (ORE-038)	
		FKM	1071795 (ORV-038)	
10	SHAFT GUIDE (REQ'S ASSY TOOL) BRASS	*	1074301 (425-GO)	1
11	DIAPHRAGM PLATE BRASS	*	1074293 (425-D)	2
12	CAP CAST IRON	*	1074281 (425-C)	1
13	HEX SCREW PLATED STEEL	*	1072400 (SCZ-0013)	6
14	DIAPHRAGM	BUNA N	1074296 (425-FB)	1
		FKM	1074297 (425-FV)	
15	HEX NUT PLATED STEEL		1071657 (NUZ-0011)	6
16	O-RING	BUNA N	1071699 (ORB-206TC)	1
		E.P.D.M.	1071742 (ORE-206TC)	
		FKM	1071813 (ORV-206)	
17	SHAFT (NORMALLY OPEN)	*	1074314 (425-L)	1
18	DISC SPACER	*	1074382 (426-HA)	1

SEE REVERSE SIDE
 CONFIGURATION OPTIONS
 FORM NO. 1077615

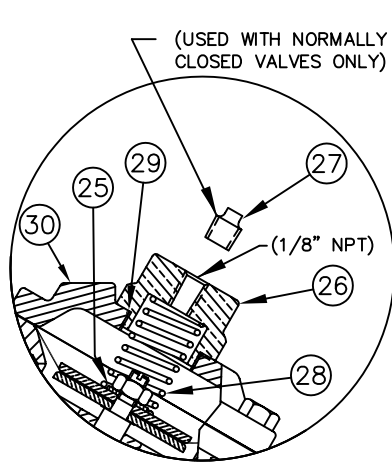
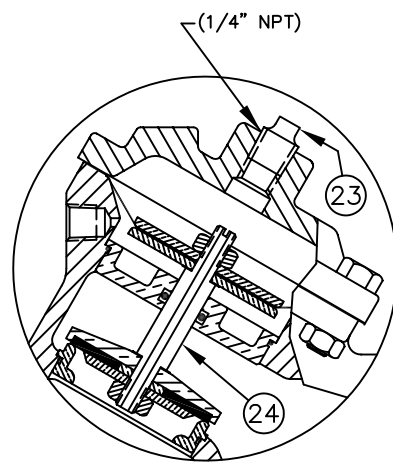
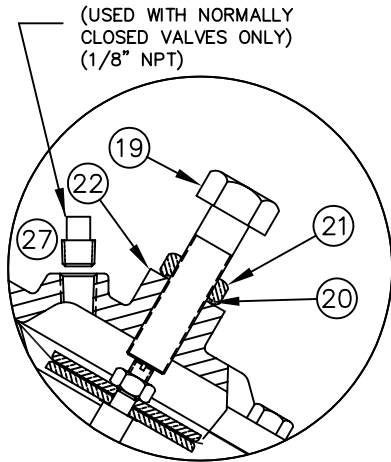
C	NUMBER CONVERSION	1588	MSM	27NOV02	
REV	DESCRIPTION	ECO	DWN	DATE	APVD



OSMONICS
 ROCKFORD OPERATIONS
 2412 GRANT AVENUE, ROCKFORD, IL 61103-3991 (815) 964-9421
 WWW.OSMONICS.COM

SERIES 425 DIAPHRAGM VALVE
2" N.P.T.

SCALE N/A	DRAWN JWB	DATE 30APR01	DWG. NO. 1084020
--------------	--------------	-----------------	---------------------



1070037 (V42F-0010-00000) (2" NPT)

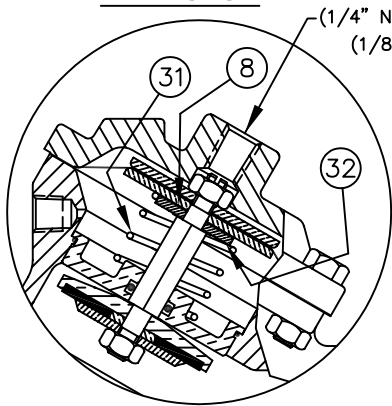
LIMIT STOP

1072894 (V42F-0030-00000) (2" NPT)

NORMALLY CLOSED

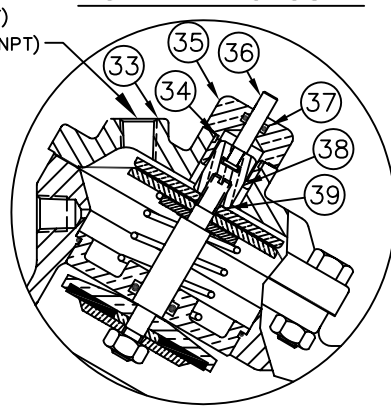
1072885 (V42F-0002-00000) (2" NPT)

SPRING ASSIST CLOSED



1070036 (V42F-0001-00000) (2" NPT)

SPRING ASSIST OPEN



1072893 (V42F-0021-00000) (2" NPT)

POSITION INDICATOR

NOTE:

1. SPRING ASSIST CLOSED MODEL CANNOT BE COMBINED WITH LIMIT STOP MODEL.
2. VALVES AVAILABLE WITH B.S.P. OR J.I.S. END CONNECTIONS.


CONVERSION KITS	
DESCRIPTION	PART NO.
CONVERSION KIT (LIMIT STOP) CONSISTS OF STANDARD ITEM NO'S 19,20,21,22	1074320 (425-LSC)
CONVERSION KIT (SPRING ASSIST CLOSED) CONSISTS OF STANDARD ITEM NO'S 25 THRU 30	1074330 (425-SCC)
CONVERSION KIT (SPRING ASSIST OPEN) CONSISTS OF STANDARD ITEM NO'S 8,31,32	1074331 (425-SO)
CONVERSION KIT (POSITION INDICATOR) CONSISTS OF STANDARD ITEM NO'S 33 THRU 39	1074324 (425-PIC)

REPAIR PARTS KITS	
DESCRIPTION	PART NO.
INT. PARTS KIT (LIMIT STOP) CONSISTS OF STANDARD ITEM NO'S 19,20,21	1074319 (425-LS)
INT. PARTS KIT (NORM. CLOSED) CONSISTS OF STANDARD ITEM NO'S 4,7,10,11(2),18,24	1070131 (425-RG)
INT. PARTS KIT (SPRING ASSIST CLOSED) CONSISTS OF STANDARD ITEM NO'S 25,28,29	1074329 (425-SC)
INT. PARTS KIT (SPRING ASSIST OPEN) CONSISTS OF STANDARD ITEM NO'S 8,30,31	1074331 (425-SO)
INT. PARTS KIT (POSITION INDICATOR) CONSISTS OF STD ITEM NO'S 34 THRU 39	1074323 (425-PI)

NO.	DESCRIPTION	STD	PART NO.	QTY.
LIMIT STOP MODEL				
19	SCREW	*	1072364 (SCS-0042)	1
20	O-RING	*	1071690 (ORB-112)	1
21	NUT	*	1074434 (426-U)	1
22	CAP	CAST IRON	* 1074285 (425-CCC)	1
NORMALLY CLOSED MODEL				
23	PIPE PLUG (1/4" N.P.T.)	PLATED STEEL	* 1071918 (PLZ-0008)	1
		BRASS	1071904 (PLB-0009)	
		STN. STL.	1071915 (PLS-0001)	
24	SHAFT (NORMALLY CLOSED)	*	1074317 (425-LL)	1
SPRING ASSIST CLOSED MODEL				
25	CENTERING WASHER	BRASS	* 1074083 (421-AH)	1
		STN. STL.	1074084 (421-AHS)	
26	RETAINER NUT	BRASS	* 1074430 (426-TT)	1
27	PIPE PLUG (1/8" N.P.T.)	PLATED STEEL	* 1071917 (PLZ-0005)	1
		BRASS	1071903 (PLB-0007)	
		STN. STL.	1071916 (PLS-0002)	
28	SPRING	*	1074428 (426-SS)	1
29	O-RING	*	1071677 (ORB-025)	1
30	CAP	CAST IRON	* 1074284 (425-CA)	1
SPRING ASSIST OPEN MODEL				
8	GASKET	COPPER	* 1074252 (424-R)	1
		LEAD	1074263 (424-RL)	
31	SPRING	*	1074423 (426-S)	1
32	CENTERING WASHER	BRASS	* 1074436 (426-V)	1
		STN. STL.	1074437 (426-VS)	
POSITION INDICATOR MODEL				
33	CAP	CAST IRON	* 1074288 (425-CF)	1
34	O-RING	*	1071692 (ORB-116)	1
35	SHAFT GUIDE BUSHING	*	1074121 (421-GF)	1
36	INDICATOR SHAFT	*	1074325 (425-PM)	1
37	O-RING	*	1071688 (ORB-108TC)	1
38	TOP NUT	*	1074332 (425-TB)	1
39	LOCKWASHER	*	1073590 (WAS-0007)	1

SEE REVERSE SIDE FOR
STANDARD NORMALLY OPEN MODEL

FORM NO. 1077615

C	NUMBER	CONVERSION	1588	MSM	27NOV02
REV	DESCRIPTION	ECO	DWN	DATE	APVD
 OSMONICS ROCKFORD OPERATIONS 2412 GRANT AVENUE, ROCKFORD, ILL. 61103-3991 (815) 964-9421 WWW.OSMONICS.COM					
SERIES 425 DIAPHRAGM VALVE					
2" N.P.T.					
SCALE	DRAWN	DATE	DWG. NO.		
N/A	JWB	30APR01	1084020		