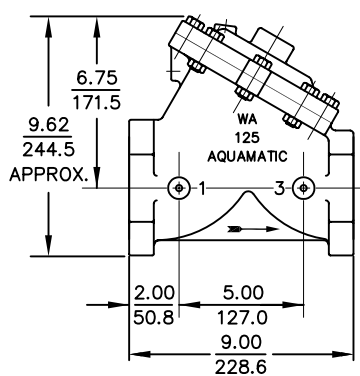
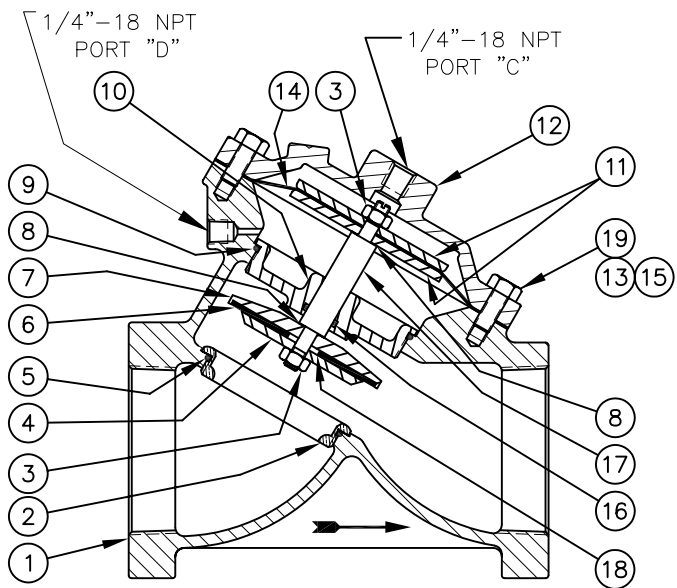
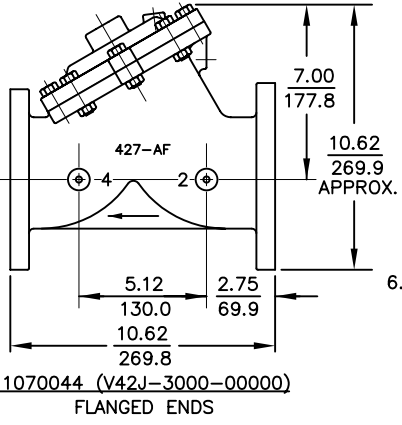


3" DIAPHRAGM VALVE - STANDARD MODEL



NOTE:
 1. AMERICAN NATIONAL STANDARD TAPER PIPE THREADS (NPT) PER ANSI B2.1-1968
 2. VALVES AVAILABLE WITH B.S.P. OR J.I.S. END CONNECTIONS.



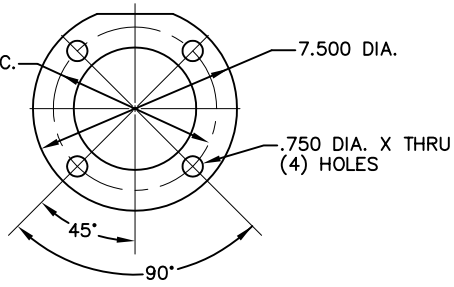
NORMALLY OPEN (STANDARD)

REPAIR PARTS KITS

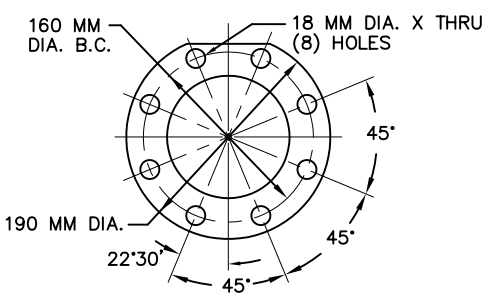
DESCRIPTION	PART NO.		
DIAPHRAGM & SEALS KIT CONSISTS OF ITEM NO'S 3(2),5,6,8(2),9,14,16	1070072 (427-RA)	1070085 (427-RAE)	1070097 (427-RAV)
	BUNA N INCLUDES DIAPHRAGM 1074475 (427-FB)	E.P.D.M. INCLUDES DIAPHRAGM 1074475 (427-FB)	FKM INCLUDES DIAPHRAGM 1074477 (427-FV)
	INT. PARTS KIT (NORM. OPEN) CONSISTS OF STANDARD ITEM NO'S 4,7,10,11(2),17,18		
SEAT (ITEM NO. 2)	1074505 (427-MO)		

ASSEMBLY TOOLS

DESCRIPTION	PART NO.
FOR INSTALLATION & REMOVAL OF SHAFT GUIDE (ITEM #10) (NOT SHOWN)	1-1/4" HEX SOCKET (D)



AMERICAN FLANGE PER
A.S.A. 16.1 CLASS 125



METRIC FLANGE PER
BS4504, DIN 10 & ISO R 2084

NO.	DESCRIPTION	STD	PART NO.	QTY.
1	BODY CAST IRON FLANGED CAST BRASS	THREADED	* 1074446 (427-AS)	1
		FLANGED	* 1074438 (427-AF)	
		THREADED	* 1074449 (427-ASB)	
2	SEAT	BRASS	* 1074505 (427-MO)	1
		STN. STL.	1074507 (427-MV)	
3	HEX LOCK NUT (5/16-24)		1071651 (NUS-0013)	2
4	DISC PLATE	BRASS	* 1074493 (427-K)	1
		STN. STL.	1074495 (427-KS)	
		BUNA N	* 1071706 (ORB-233)	
5	O-RING	E.P.D.M.	1071754 (ORE-233)	1
		FKM	1071826 (ORV-233)	
		BUNA	* 1074487 (427-J)	
6	DISC	E.P.D.M.	1074489 (427-JE)	1
		FKM	1074492 (427-JV)	
		HYCAR	1074490 (427-JH)	
7	DISC HOLDER	BRASS	* 1074485 (427-HO)	1
		STN. STL.	1074486 (427-HSS)	
8	GASKET	COPPER	* 1074252 (424-R)	2
		LEAD	1074263 (424-RL)	
9	O-RING	BUNA N	* 1071708 (ORB-237)	1
		E.P.D.M.	1071755 (ORE-237)	
		FKM	1071828 (ORV-237)	
10	SHAFT GUIDE (REQ'S ASSY TOOL)	BRASS	* 1074481 (427-GO)	1
		STN. STL.	1074479 (427-GASO)	
11	DIAPHRAGM PLATE	BRASS	* 1074471 (427-D)	2
		STN. STL.	1074472 (427-DA)	
12	CAP	CAST IRON	* 1074454 (427-C)	1
		CAST BRASS	1074457 (427-CB)	
13	HEX SCREW	PLATED STEEL	* 1072405 (SCZ-0025)	6
		STN. STL.	1072390 (SCS-0152)	
14	DIAPHRAGM	BUNA N	* 1074475 (427-FB)	1
		FKM	1074477 (427-FV)	
15	HEX NUT	PLATED STEEL	* 1071658 (NUZ-0014)	6
		STN. STL.	1071652 (NUS-0014)	
16	O-RING	BUNA N	* 1071691 (ORB-114TC)	1
		E.P.D.M.	1071729 (ORE-114TC)	
		FKM	1071800 (ORV-114)	
17	SHAFT (NORMALLY OPEN)		* 1074496 (427-L)	1
18	DISC SPACER	BRASS	* 1074382 (426-HA)	1
		STN. STL.	1074384 (426-HAS)	
19	HEX SCREW	STN. STL.	* 1072359 (SCS-0020)	2

SEE REVERSE SIDE FOR
CONFIGURATION OPTIONS

FORM NO. 1077617

D	WAS 1 3/16" HEX SOCKET	NONE	MSM	15MAR04
REV	DESCRIPTION	ECO	DWN	DATE APVD

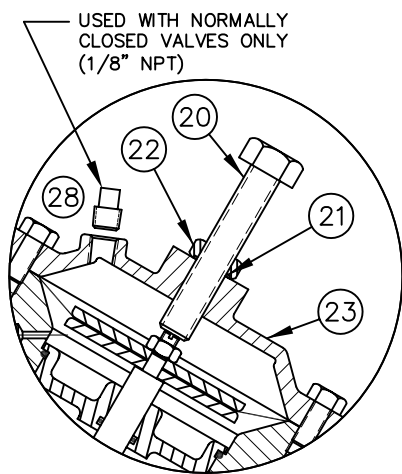


OSMONICS
ROCKFORD OPERATIONS

2412 GRANT AVENUE, ROCKFORD, IL 61103-3991 (815) 964-9421
WWW.OSMONICS.COM

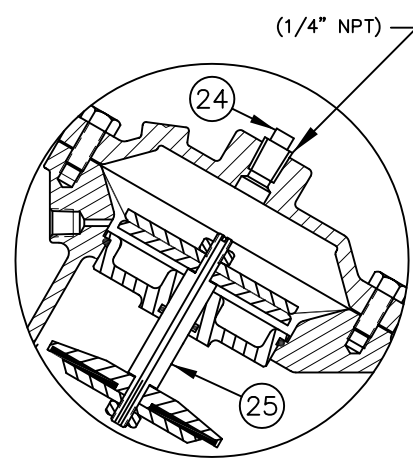
SERIES 427 DIAPHRAGM VALVE 3" PIPE SIZE

SCALE	DRAWN	DATE	DWG. NO.
N/A	JWB	02MAY01	1084022



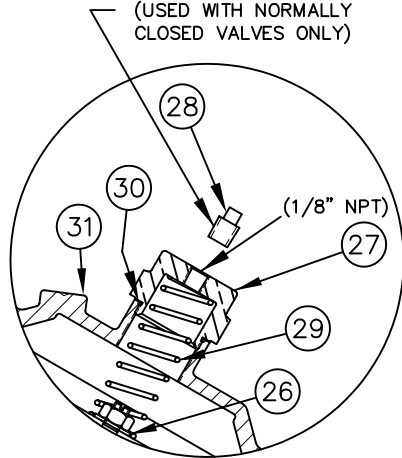
1073045 (V42J-0010-00000) (THREADED)
1073103 (V42J-3010-00000) (FLANGED)

LIMIT STOP



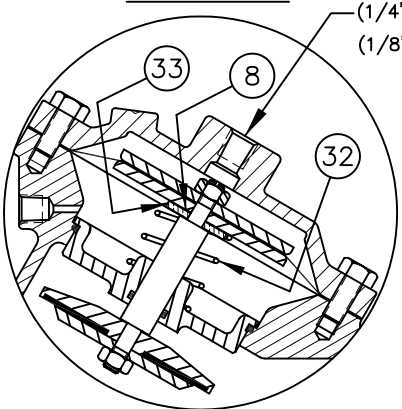
1073055 (V42J-0030-00000) (THREADED)
1073113 (V42J-3030-00000) (FLANGED)

NORMALLY CLOSED



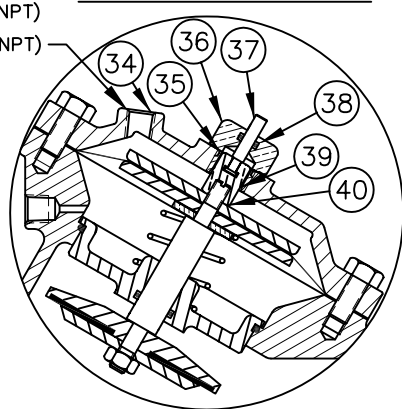
1073047 (V42J-0002-00000) (THREADED)
1073100 (V42J-3002-00000) (FLANGED)

SPRING ASSIST CLOSED



1073045 (V42J-0001-00000) (THREADED)
1073097 (V42J-3001-00000) (FLANGED)

SPRING ASSIST OPEN



1073054 (V42J-0021-00000) (THREADED)
1077374 (V42J-3021-00000) (FLANGED)

POSITION INDICATOR

CONVERSION KITS	
DESCRIPTION	PART NO.
CONVERSION KIT (LIMIT STOP) CONSISTS OF STANDARD ITEM NO'S 20,21,22,23	1074502 (427-LSC)
CONVERSION KIT (SPRING ASSIST CLOSED) CONSISTS OF STANDARD ITEM NO'S 26 THRU 31	1074519 (427-SCC)
CONVERSION KIT (SPRING ASSIST OPEN) CONSISTS OF STANDARD ITEM NO'S 8,32,33	1074521 (427-SO)
CONVERSION KIT (POSITION INDICATOR) CONSISTS OF STANDARD ITEM NO'S 34 THRU 40	1074509 (427-PIC)

REPAIR PARTS KITS	
DESCRIPTION	PART NO.
INT. PARTS KIT (LIMIT STOP) CONSISTS OF STANDARD ITEM NO'S 20,21,22	1074501 (427-LS)
INT. PARTS KIT (NORM. CLOSED) CONSISTS OF STANDARD ITEM NO'S 4,7,10,11(2),18,25	1070133 (427-RG)
INT. PARTS KIT (SPRING ASSIST CLOSED) CONSISTS OF STANDARD ITEM NO'S 26,29,30	1081565 (427-SC)
INT. PARTS KIT (SPRING ASSIST OPEN) CONSISTS OF STANDARD ITEM NO'S 8,32,33	1074521 (427-SO)
INT. PARTS KIT (POSITION INDICATOR) CONSISTS OF STD ITEM NO'S 35 THRU 40	1074508 (427-PI)

NOTE:
1. SPRING ASSIST CLOSED MODEL CANNOT BE COMBINED WITH LIMIT STOP OR POSITION INDICATOR MODELS.
2. VALVES AVAILABLE WITH B.S.P. OR J.I.S. END CONNECTIONS.

NO.	DESCRIPTION	STD	PART NO.	QTY.
LIMIT STOP MODEL				
20	SCREW	*	1072365 (SCS-0043)	1
21	O-RING	*	1071690 (ORB-112)	1
22	NUT	*	1074434 (426-U)	1
23	CAP	CAST IRON	* 1074462 (427-CCC)	1
		CAST BRASS	1074465 (427-CCCB)	
NORMALLY CLOSED MODEL				
24	PIPE PLUG (1/4" N.P.T.)	PLATED STEEL	* 1071918 (PLZ-0008)	1
		BRASS	1071904 (PLB-0009)	
		STN. STL.	1071915 (PLS-0001)	
25	SHAFT (NORMALLY CLOSED)	*	1074499 (427-LL)	1
SPRING ASSIST CLOSED MODEL				
26	CENTERING WASHER	BRASS	* 1074083 (421-AH)	1
		STN. STL.	1074084 (421-AHS)	
27	RETAINER NUT	BRASS	* 1074430 (426-TT)	1
		STN. STL.	1074433 (426-TTS)	
		PLATED STEEL	* 1071917 (PLZ-0005)	
28	PIPE PLUG (1/8" N.P.T.)	PLATED STEEL	* 1071903 (PLB-0007)	1
		BRASS	1071916 (PLS-0002)	
		STN. STL.	1071915 (PLS-0001)	
29	SPRING	*	1074428 (426-SS)	1
30	O-RING	*	1071677 (ORB-025)	1
31	CAP	CAST IRON	* 1074460 (427-CC)	1
		CAST BRASS	1074461 (427-CCB)	
SPRING ASSIST OPEN MODEL				
8	GASKET	COPPER	* 1074252 (424-R)	1
		LEAD	1074263 (424-RL)	
32	SPRING	*	1074423 (426-S)	1
33	CENTERING WASHER	BRASS	* 1074436 (426-V)	1
		STN. STL.	1074437 (426-VS)	
POSITION INDICATOR MODEL				
34	CAP	CAST IRON	* 1074468 (427-CF)	1
		CAST BRASS	1074469 (427-CFB)	
35	O-RING	*	1071692 (ORB-116)	1
36	SHAFT GUIDE BUSHING	*	1074121 (421-GF)	1
37	INDICATOR SHAFT	*	1074510 (427-PM)	1
38	O-RING	*	1071688 (ORB-108TC)	1
39	TOP NUT	*	1074332 (425-TB)	1
40	LOCKWASHER	*	1073590 (WAS-0007)	1

SEE REVERSE SIDE FOR STANDARD NORMALLY OPEN MODEL

FORM NO. 1077617

D	SEE REVERSE SIDE	NONE	MSM	15MAR04
REV	DESCRIPTION	ECO	DWN	DATE APVD
 OSMONICS <small>ROCKFORD OPERATIONS 2412 GRANT AVENUE, ROCKFORD, IL 61103-3991 (815) 964-9421 WWW.OSMONICS.COM</small>				
SERIES 427 DIAPHRAGM VALVE				
3" PIPE SIZE				
SCALE N/A	DRAWN JWB	DATE 02MAY01	DWG. NO. 1084022	