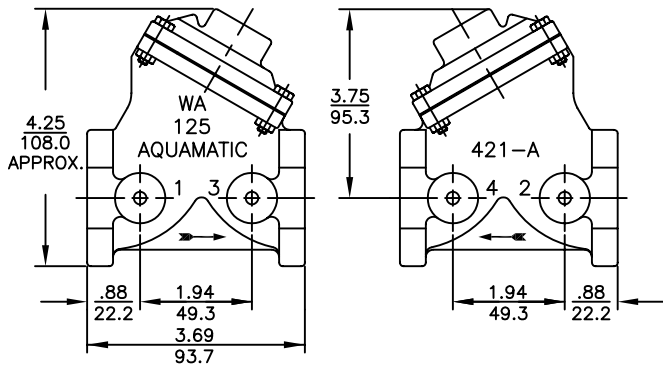
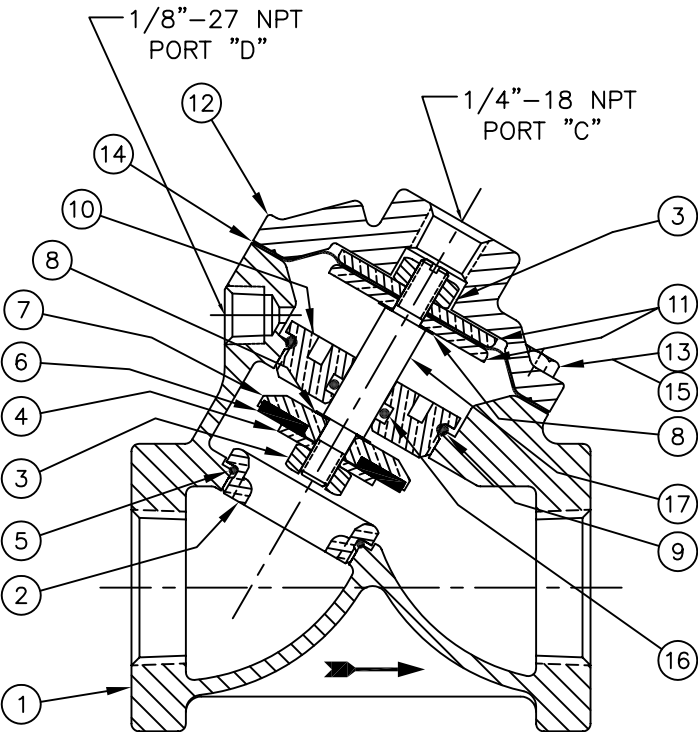


3/4" & 1" AIR VALVE - STANDARD MODEL



INCHES
MILLIMETERS



1072459 (VAVB-0000-90000) (3/4" NPT)
1072464 (VAVC-0000-90000) (1" NPT)

NORMALLY OPEN (STANDARD)

PRINTED IN U.S.A.

REPAIR PARTS KITS

DESCRIPTION	PART NO.	
DIAPHRAGM & SEALS KIT CONSISTS OF ITEM NO'S 3(2),5,6,8(2),9,14,16	1070106 (AV1-RA) INCLUDES DISC 1074144 (421-JH), DIAPHRAGM 1074119	1070498 (AV1-RAHT) INCLUDES DISC 1074145 (421-JT), DIAPHRAGM 1074120
INT. PARTS KIT (NORM. OPEN) CONSISTS OF STANDARD ITEM NO'S 4,7,10,11(2),17	1070118 (421-RF)	
SEAT (ITEM NO. 2)	1074158 (421-MO)	

ASSEMBLY TOOLS

DESCRIPTION	PART NO.
FOR INSTALLATION & REMOVAL OF SEAT (ITEM #2) (TOOL NOT SHOWN)	1074161 (421-MT)
FOR INSTALLATION & REMOVAL OF SHAFT GUIDE (ITEM #10) (TOOL NOT SHOWN)	1074124 (421-GT)

NOTE:

1. AMERICAN NATIONAL STANDARD TAPER PIPE THREADS (NPT) PER ANSI B2.1-1968
2. VALVES AVAILABLE WITH B.S.P. OR J.I.S. END CONNECTIONS.

NO.	DESCRIPTION		STD	PART NO.	QTY.
1	BODY	CAST IRON	3/4" NPT	* 1074085 (421-A3)	1
			1" NPT	* 1074088 (421-A4)	
2	SEAT (REQ'S ASSY TOOL)	BRASS		* 1074158 (421-MO)	1
3	HEX LOCK NUT	(1/4"-28)		* 1071650 (NUS-0010)	2
4	DISC PLATE	BRASS		* 1074147 (421-K)	1
5	O-RING	FKM		* 1071791 (ORV-024)	1
6	DISC	HYCAR		* 1074144 (421-JH)	1
		AFLAS		1074141 (421-JA)	
		GLASS FILLED TEFLON		1074145 (421-JT)	
7	DISC HOLDER	BRASS		* 1074126 (421-H)	1
8	GASKET	COPPER		* 1073948 (200-GG)	2
9	O-RING	FKM		* 1071803 (ORV-125)	1
10	SHAFT GUIDE (REQ'S ASSY TOOL)	BRASS		* 1074122 (421-GG0)	1
11	DIAPHRAGM PLATE	BRASS		* 1074117 (421-D)	2
12	CAP	CAST IRON		* 1074093 (421-C)	1
13	HEX SCREW 1/4"-20	PLATED STEEL		* 1072398 (SCZ-0004)	4
14	DIAPHRAGM	BUNA N		* 1074119	1
		FKM		1074120	
15	HEX NUT 1/4"-20	PLATED STEEL		* 1071656 (NUZ-0008)	4
16	O-RING	AFLAS		* 1071661 (ORA-110)	1
17	SHAFT (NORMALLY OPEN)			* 1074150 (421-L)	1

SEE REVERSE SIDE FOR
CONFIGURATION OPTIONS

FORM NO. 1077635

D	NUMBER	CONVERSION	1588	MSM	27NOV02
REV	DESCRIPTION		ECO	DWN	DATE APV/D



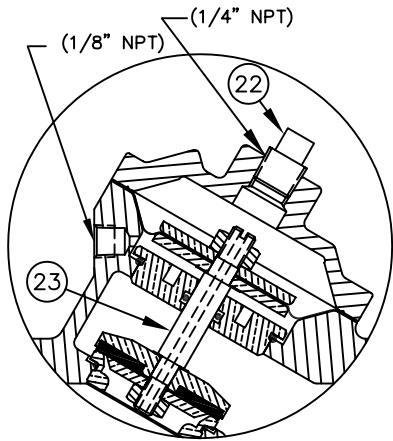
OSMONICS
ROCKFORD OPERATIONS

2412 GRANT AVENUE, ROCKFORD, IL 61103-3991 (815) 964-9421
WWW.OSMONICS.COM

SERIES VAV1 DIAPHRAGM VALVE

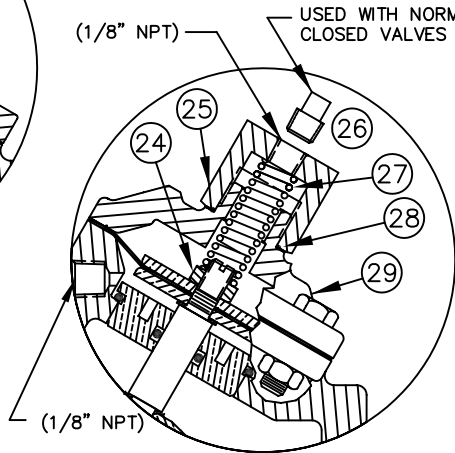
3/4" & 1" N.P.T.

SCALE	DRAWN	DATE	DWG. NO.
N/A	JWB	14MAY01	1084039



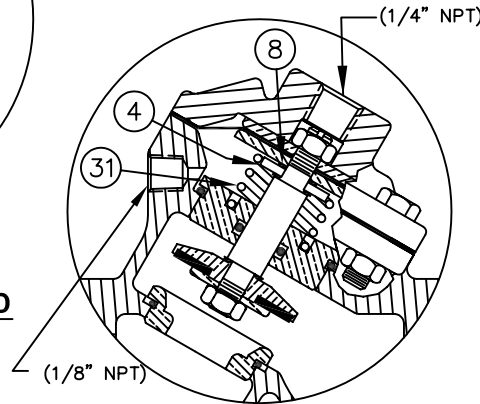
1072462 (VAVB-0030-90000) (3/4" NPT)
1072469 (VAVC-0030-90000) (1" NPT)

NORMALLY CLOSED



1072461 (VAVB-0002-90000) (3/4" NPT)
1072467 (VAVC-0002-90000) (1" NPT)

SPRING ASSIST CLOSED



1070056 (VAVB-0001-90000) (3/4" NPT)
1070060 (VAVC-0001-90000) (1" NPT)

SPRING ASSIST OPEN


NO.	DESCRIPTION	STD	PART NO.	QTY.
NORMALLY CLOSED MODEL				
22	PIPE PLUG (1/4" N.P.T.)	PLATED STEEL *	1071918 (PLZ-0008)	1
23	SHAFT (NORMALLY CLOSED)	*	1074153 (421-LL)	1
SPRING ASSIST CLOSED MODEL				
24	CENTERING NUT	*	1074185 (421-X)	1
25	RETAINER NUT	BRASS *	1074183 (421-TT)	1
26	PIPE PLUG (1/8" N.P.T.)	BRASS *	1071903 (PLB-0007)	1
27	SPRING	*	1074180 (421-SS)	1
28	O-RING	*	1071674 (ORB-020)	1
29	CAP	CAST IRON *	1074099 (421-CC)	1
SPRING ASSIST OPEN MODEL				
4	DISC PLATE	BRASS *	1074147 (421-K)	1
8	GASKET	COPPER *		1
31	SPRING	*	1074175 (421-SB)	1

SEE REVERSE SIDE FOR
STANDARD NORMALLY OPEN MODEL

FORM NO. 1077635

CONVERSION KITS	
DESCRIPTION	PART NO.
CONVERSION KIT (SPRING ASSIST CLOSED) CONSISTS OF STANDARD ITEM NO'S 24 THRU 29	1074177 (421-SCC)
CONVERSION KIT (SPRING ASSIST OPEN) CONSISTS OF STANDARD ITEM NO'S 4,8,10,31	1074179 (421-SOC)

REPAIR PARTS KITS	
DESCRIPTION	PART NO.
INT. PARTS KIT (NORM. CLOSED) CONSISTS OF STANDARD ITEM NO'S 4,7,10,11(2),23	1070129 (421-RG)
INT. PARTS KIT (SPRING ASSIST CLOSED) CONSISTS OF STANDARD ITEM NO'S 24,27,28	1074176 (421-SC)
INT. PARTS KIT (SPRING ASSIST OPEN) CONSISTS OF STANDARD ITEM NO'S 4,8,31	1074178 (421-SO)

D	NUMBER	CONVERSION	1588	MSM	27NOV02
REV	DESCRIPTION	ECO	DWN	DATE	APVD
 OSMONICS ROCKFORD OPERATIONS 2412 GRANT AVENUE, ROCKFORD, IL 61103-3991 (815) 964-9421 WWW.OSMONICS.COM					
SERIES VAV1 DIAPHRAGM VALVE					
3/4" & 1" N.P.T.					
SCALE N/A	DRAWN JWB	DATE 14MAY01	DWG. NO.		1084039