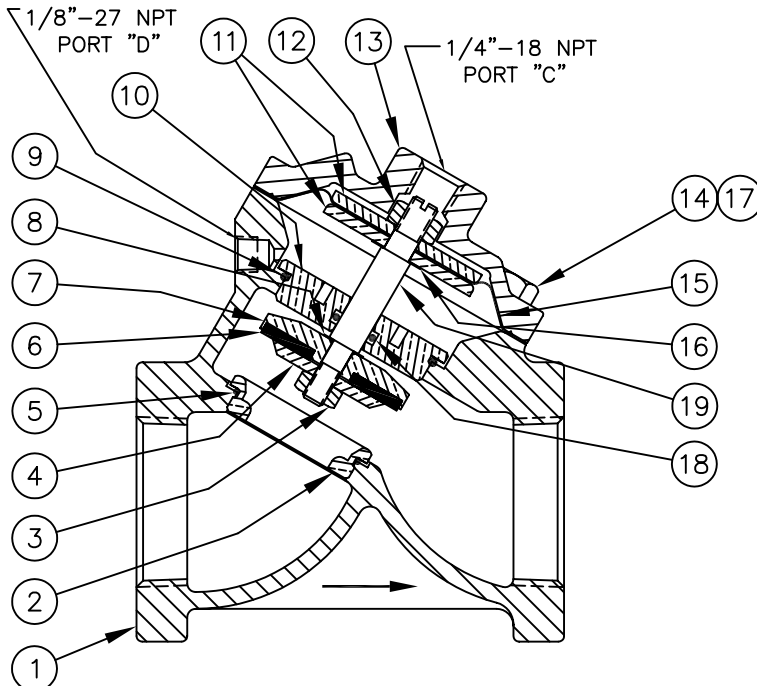


REPAIR PARTS KITS		
DESCRIPTION	PART NO.	
DIAPHRAGM & SEALS KIT CONSISTS OF ITEM NO'S 3,5,6,8,9,12,15,16,18	1070107 (AV4-RA) INCLUDES DISC 1074234 (424-JH), DIAPHRAGM 1074222 (424-FB)	1070502 (AV4-RAHT) INCLUDES DISC 1074235 (424-JT), DIAPHRAGM 1074224 (424-FV)
INT. PARTS KIT (NORM. OPEN) CONSISTS OF STANDARD ITEM NO'S 4,7,10,11(2),19	1070119 (424-RF)	
SEAT (ITEM NO. 2)	1074245 (424-MO)	

ASSEMBLY TOOLS	
DESCRIPTION	PART NO.
FOR INSTALLATION & REMOVAL OF SEAT (ITEM #2) (TOOL NOT SHOWN)	1074247 (424-MT)
FOR INSTALLATION & REMOVAL OF SHAFT GUIDE (ITEM #10) (TOOL NOT SHOWN)	1074227 (424-GT)



- NOTE:
1. AMERICAN NATIONAL STANDARD TAPER PIPE THREADS (NPT) PER ANSI B2.1-1968
 2. VALVES AVAILABLE WITH B.S.P. OR J.I.S. END CONNECTIONS.

NO.	DESCRIPTION		STD	PART NO.	QTY.
1	BODY	CAST IRON	1-1/4" NPT 1-1/2" NPT	* 1074196 (424-A5) * 1074199 (424-A6)	1
2	SEAT (REQ'S ASSY TOOL)	BRASS		* 1074245 (424-MO)	1
3	HEX LOCK NUT	(1/4-28)		* 1071650 (NUS-0010)	1
4	DISC PLATE	BRASS		* 1074237 (424-K)	1
5	O-RING	FKM		* 1071793 (ORV-028)	1
6	DISC	HYCAR AFLAS GLASS FILLED TEFLON		* 1074234 (424-JH) 1074235 (424-JT)	1
7	DISC HOLDER	BRASS		* 1074229 (424-H)	1
8	GASKET	COPPER		* 1073948 (200-GG)	1
9	O-RING	FKM		* 1071806 (ORV-132)	1
10	SHAFT GUIDE (REQ'S ASSY TOOL)	BRASS		* 1074225 (424-GG0)	1
11	DIAPHRAGM PLATE	BRASS		* 1074220 (424-D)	2
12	HEX LOCK NUT	(5/16-24)		* 1071651 (NUS-0013)	1
13	CAP	CAST IRON		* 1074202 (424-C)	1
14	HEX SCREW 1/4"-20	PLATED STEEL		* 1072399 (SCZ-0007)	4
15	DIAPHRAGM	BUNA N FKM		* 1074222 (424-FB) 1074224 (424-FV)	1
16	GASKET	COPPER		* 1074252 (424-R)	1
17	HEX NUT 1/4"-20	PLATED STEEL		1071656 (NUZ-0008)	4
18	O-RING	AFLAS		* 1071661 (ORA-110)	1
19	SHAFT (NORMALLY OPEN)			* 1074239 (424-L)	1

VAVD-0000-90000 (1-1/4" NPT)
1072475 (VAVE-0000-90000) (1-1/2" NPT)
NORMALLY OPEN (STANDARD)

SEE REVERSE SIDE FOR
CONFIGURATION OPTIONS

FORM NO. 1077636

C	NUMBER	CONVERSION	1588	MSM	27NOV02	
REV	DESCRIPTION		ECO	DWN	DATE	APV/D



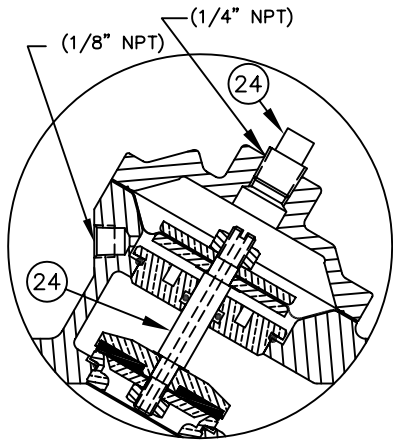
OSMONICS
ROCKFORD OPERATIONS

2412 GRANT AVENUE, ROCKFORD, IL 61103-3991 (815) 964-9421
WWW.OSMONICS.COM

SERIES VAV4 DIAPHRAGM VALVE

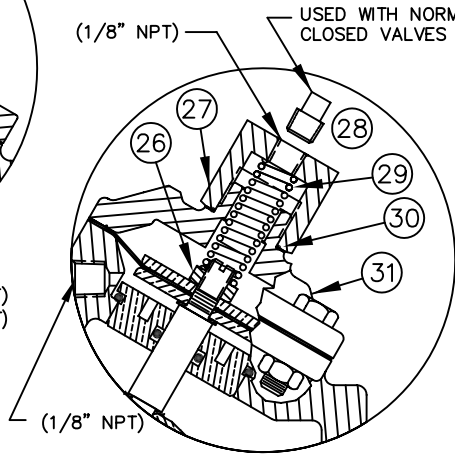
1-1/4" & 1-1/2" N.P.T.

SCALE	DRAWN	DATE	DWG. NO.
N/A	JWB	14MAY01	1084040



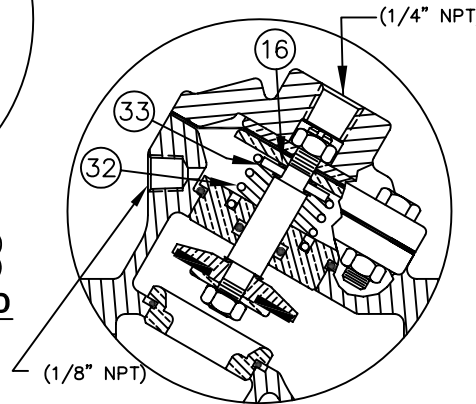
VAVD-0030-90000 (1-1/4" NPT)
1072479 (VAVE-0030-90000) (1-1/2" NPT)

NORMALLY CLOSED



1072472 (VAVD-0002-90000) (1-1/4" NPT)
1072477 (VAVE-0002-90000) (1-1/2" NPT)

SPRING ASSIST CLOSED



1072471 (VAVD-0001-90000) (1-1/4" NPT)
1070064 (VAVE-0001-90000) (1-1/2" NPT)

SPRING ASSIST OPEN


NO.	DESCRIPTION	STD	PART NO.	QTY.
NORMALLY CLOSED MODEL				
24	PIPE PLUG (1/4" N.P.T.)	PLATED STEEL *	1071918 (PLZ-0008)	1
25	SHAFT (NORMALLY CLOSED)	*	1074241 (424-LL)	1
SPRING ASSIST CLOSED MODEL				
26	CENTERING NUT	*	1074276 (424-X)	1
27	RETAINER NUT	BRASS *	1074274 (424-TT)	1
28	PIPE PLUG (1/8" N.P.T.)	BRASS *	1071903 (PLB-0007)	1
29	SPRING	*	1074270 (424-SS)	1
30	O-RING	*	1071674 (ORB-020)	1
31	CAP	CAST IRON *	1074208 (424-CC)	1
SPRING ASSIST OPEN MODEL				
16	GASKET	COPPER *	1074252 (424-R)	1
32	SPRING	*	1074264 (424-S)	1
33	CENTERING WASHER	BRASS *	1074382 (426-HA)	1

SEE REVERSE SIDE FOR
STANDARD NORMALLY OPEN MODEL

FORM NO. 1077636

CONVERSION KITS	
DESCRIPTION	PART NO.
CONVERSION KIT (SPRING ASSIST CLOSED) CONSISTS OF STANDARD ITEM NO'S 26 THRU 31	1074266 (424-SCC)
CONVERSION KIT (SPRING ASSIST OPEN) CONSISTS OF STANDARD ITEM NO'S 10,16,32,33	1074269 (424-SOC)

REPAIR PARTS KITS	
DESCRIPTION	PART NO.
INT. PARTS KIT (NORM. CLOSED) CONSISTS OF STANDARD ITEM NO'S 4,7,10,11(2),25	1070130 (424-RG)
INT. PARTS KIT (SPRING ASSIST CLOSED) CONSISTS OF STANDARD ITEM NO'S 26,29,30	1074265 (424-SC)
INT. PARTS KIT (SPRING ASSIST OPEN) CONSISTS OF STANDARD ITEM NO'S 16,32,33	1074268 (424-SO)

C	NUMBER	CONVERSION	1588	MSM	27NOV02
REV	DESCRIPTION	ECO	DWN	DATE	APVD
 OSMONICS ROCKFORD OPERATIONS 2412 GRANT AVENUE, ROCKFORD, ILL. 61103-3991 (815) 964-9421 WWW.OSMONICS.COM					
SERIES VAV4 DIAPHRAGM VALVE					
1-1/4" & 1-1/2" N.P.T.					
SCALE N/A	DRAWN JWB	DATE 14MAY01	DWG. NO. 1084040		