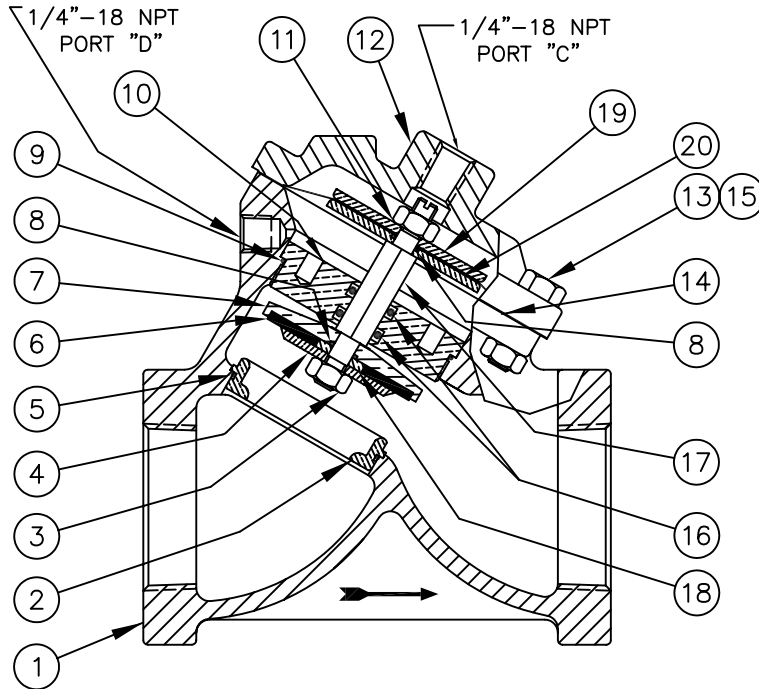


REPAIR PARTS KITS		
DESCRIPTION	PART NO.	
DIAPHRAGM & SEALS KIT CONSISTS OF ITEM NO'S 3(2),5,6,8(2),9,14,16(2)	1070108 (AV5-RA)	1070503 (AV5-RAHT)
	INCLUDES DISC 1074310 (425-JH), DIAPHRAGM 1074296 (425-FB)	INCLUDES DISC 1074311 (425-JT), DIAPHRAGM 1074297 (425-FV)
	1070120 (425-RF)	
INT. PARTS KIT (NORM. OPEN) CONSISTS OF STANDARD ITEM NO'S 4,7,10,11,17,18,19,20	1070120 (425-RF)	
SEAT (ITEM NO. 2)	1074321 (425-MO)	

ASSEMBLY TOOLS	
DESCRIPTION	PART NO.
FOR INSTALLATION & REMOVAL OF SEAT (ITEM #2) (TOOL NOT SHOWN)	1074411 (426-MT)
FOR INSTALLATION & REMOVAL OF SHAFT GUIDE (ITEM #10) (TOOL NOT SHOWN)	1074299 (425-GAT)

NO.	DESCRIPTION	STD	PART NO.	QTY.
1	BODY CAST IRON 2" NPT	*	1074277 (425-A)	1
2	SEAT (REQ'S ASSY TOOL) BRASS	*	1074321 (425-MO)	1
3	HEX LOCK NUT (5/16-24)	*	1071651 (NUS-0013)	2
4	DISC PLATE BRASS	*	1074313 (425-KA)	1
5	O-RING FKM	*	1071794 (ORV-035)	1
6	DISC			1
		HYPAR	* 1074310 (425-JH)	
		AFLAS		
	GLASS FILLED TEFLON		1074311 (425-JT)	
7	DISC HOLDER BRASS	*	1074304 (425-HA)	1
8	O-RING VITON	*	1071786 (ORV-011)	2
9	O-RING VITON	*	1071795 (ORV-038)	1
10	SHAFT GUIDE (REQ'S ASSY TOOL) BRASS	*	1074298 (425-GAO)	1
11	LOCKWASHER	*	1073594 (WAS-0020)	2
12	CAP CAST IRON	*	1074281 (425-C)	1
13	HEX SCREW 5/16"-18 PLATED STEEL	*	1072400 (SCZ-0013)	6
14	DIAPHRAGM			1
		BUNA N	* 1074296 (425-FB)	
		FKM	1074297 (425-FV)	
15	HEX NUT 5/16"-18 PLATED STEEL	*	1071657 (NUZ-0011)	6
16	O-RING AFLAS	*	1071664 (ORA-206)	2
17	SHAFT (NORMALLY OPEN)	*	1074315 (425-LAA)	1
18	DISC SPACER BRASS	*	1074382 (426-HA)	1
19	UPPER DIAPHRAGM PLATE	*	1074294 (425-DA)	1
20	LOWER DIAPHRAGM PLATE	*	1074295 (425-DAA)	1




- NOTE:
1. AMERICAN NATIONAL STANDARD TAPER PIPE THREADS (NPT) PER ANSI B2.1-1968
 2. VALVES AVAILABLE WITH B.S.P. OR J.I.S. END CONNECTIONS.

1072482 (VAVF-0000-90000) (2" NPT)
NORMALLY OPEN (STANDARD)

SEE REVERSE SIDE FOR CONFIGURATION OPTIONS

FORM NO. 1077637

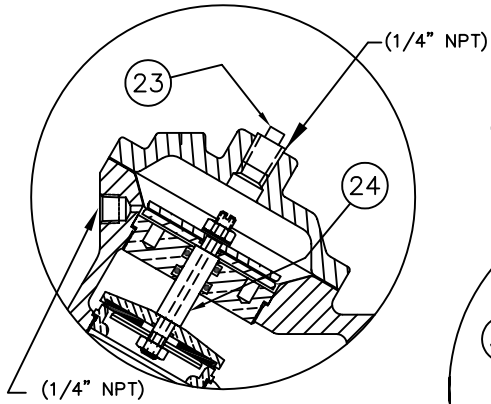
D	NUMBER CONVERSION	1588	MSM	27NOV02	
REV	DESCRIPTION	ECO	DWN	DATE	APV/D



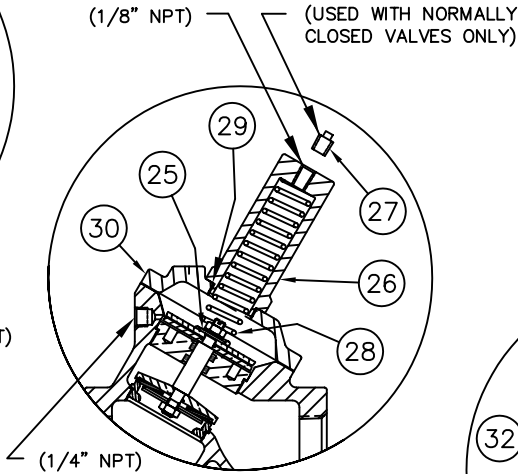
OSMONICS
ROCKFORD OPERATIONS
2412 GRANT AVENUE, ROCKFORD, IL 61103-3991 (815) 964-9421
WWW.OSMONICS.COM

SERIES VAV5 DIAPHRAGM VALVE
2" N.P.T.

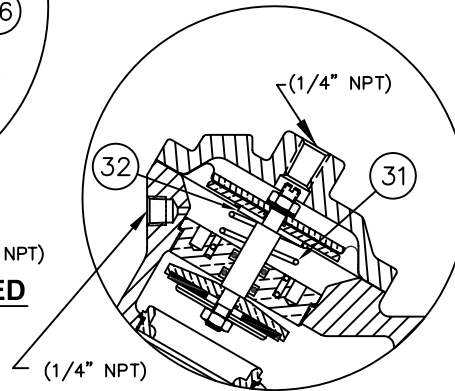
SCALE	DRAWN	DATE	DWG. NO.
N/A	JWB	14MAY01	1084041



1072486 (VAVF-0030-90000) (2" NPT)
NORMALLY CLOSED



1072485 (VAVF-0002-90000) (2" NPT)
SPRING ASSIST CLOSED



1072484 (VAVF-0001-90000) (2" NPT)
SPRING ASSIST OPEN


NO.	DESCRIPTION	STD	PART NO.	QTY.
NORMALLY CLOSED MODEL				
23	PIPE PLUG (1/4" N.P.T.)	PLATED STEEL *	1071918 (PLZ-0008)	1
24	SHAFT (NORMALLY CLOSED)	*	1074318 (425-LLA)	1
SPRING ASSIST CLOSED MODEL				
25	CENTERING WASHER	*	1074083 (421-AH)	1
26	RETAINER NUT	BRASS *	1074431 (426-TTA)	1
27	PIPE PLUG (1/8" N.P.T.)	BRASS *	1071903 (PLB-0007)	1
28	SPRING	*	1074429 (426-SSB)	1
29	O-RING	*	1071677 (ORB-025)	1
30	CAP	CAST IRON *	1074284 (425-CA)	1
SPRING ASSIST OPEN MODEL				
31	SPRING	*	1074423 (426-S)	1
32	CENTERING WASHER	BRASS *	1074436 (426-V)	1

SEE REVERSE SIDE FOR
STANDARD NORMALLY OPEN MODEL

FORM NO. 1077637

CONVERSION KITS	
DESCRIPTION	PART NO.
CONVERSION KIT (SPRING ASSIST CLOSED) CONSISTS OF STANDARD ITEM NO'S 25 THRU 30	1070507 (AV5-SCC)
CONVERSION KIT (SPRING ASSIST OPEN) CONSISTS OF STANDARD ITEM NO'S 31,32	1070508 (AV5-SO)

REPAIR PARTS KITS	
DESCRIPTION	PART NO.
INT. PARTS KIT (NORM. CLOSED) CONSISTS OF STANDARD ITEM NO'S 4,7,10,11,18,19,20,24	1070505 (AV5-RG)
INT. PARTS KIT (SPRING ASSIST CLOSED) CONSISTS OF STANDARD ITEM NO'S 25,28,29	1070506 (AV5-SC)
INT. PARTS KIT (SPRING ASSIST OPEN) CONSISTS OF STANDARD ITEM NO'S 31,32	1070508 (AV5-SO)

D	NUMBER	CONVERSION	1588	MSM	27NOV02
REV	DESCRIPTION	ECO	DWN	DATE	APVD
 OSMONICS ROCKFORD OPERATIONS 2412 GRANT AVENUE, ROCKFORD, ILL. 61103-3991 (815) 964-9421 WWW.OSMONICS.COM					
SERIES VAV5 DIAPHRAGM VALVE					
2" N.P.T.					
SCALE N/A	DRAWN JWB	DATE 14MAY01	DWG. NO. 1084041		