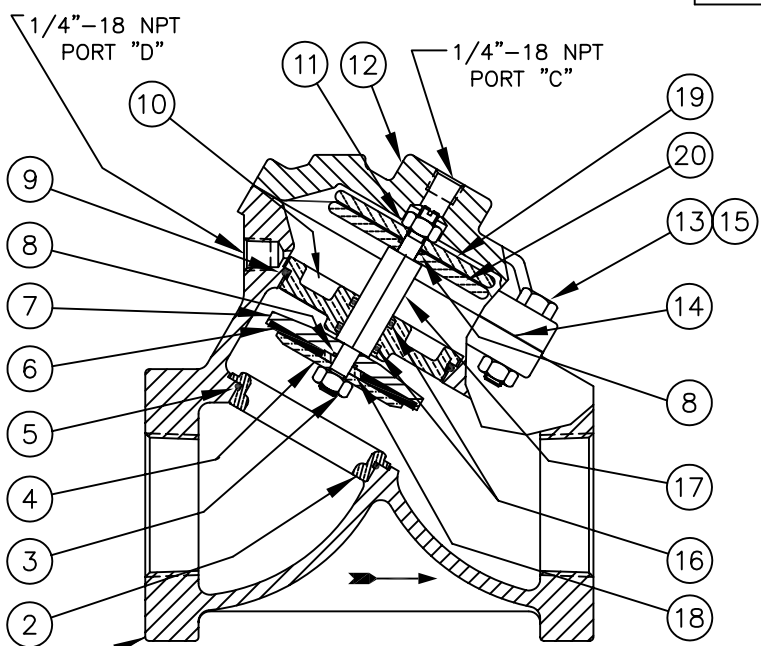


REPAIR PARTS KITS		
DESCRIPTION	PART NO.	
DIAPHRAGM & SEALS KIT CONSISTS OF ITEM NO'S 3(2),5,6,8(2),9,14,16(2)	1070109 (AV6-RA)	1070510 (AV6-RAHT)
	INCLUDES DISC 1074392 (426-JH), DIAPHRAGM 1074374 (426-FB)	INCLUDES DISC 1074393 (426-JT), DIAPHRAGM 1074376 (426-FV)
	1070511 (AV6-RF)	
INT. PARTS KIT (NORM. OPEN) CONSISTS OF STANDARD ITEM NO'S 4,7,10,11,17,18,19,20	1074407 (426-MAO)	
SEAT (ITEM NO. 2)	1074407 (426-MAO)	

ASSEMBLY TOOLS	
DESCRIPTION	PART NO.
FOR INSTALLATION & REMOVAL OF SEAT (ITEM #2) (TOOL NOT SHOWN)	1074411 (426-MT)
FOR INSTALLATION & REMOVAL OF SHAFT GUIDE (ITEM #10) (TOOL NOT SHOWN)	1-3/16" HEX SOCKET

NO.	DESCRIPTION		STD	PART NO.	QTY.
1	BODY	CAST IRON	2" NPT	* 1074343 (426-A8)	1
			2-1/2" NPT	* 1081559 (426-A10)	
2	SEAT (REQ'S ASSY TOOL)	BRASS		* 1074407 (426-MAO)	1
				* 1071651 (NUS-0013)	
3	HEX LOCK NUT (5/16"-24)			* 1074396 (426-KA)	2
4	DISC PLATE	BRASS		* 1071795 (ORV-038)	1
5	O-RING	FKM		* 1074392 (426-JH)	1
6	DISC	HYCAR		* 1074393 (426-JT)	1
		AFLAS			
		GLASS FILLED TEFLON			
7	DISC HOLDER	BRASS		* 1074383 (426-HAA)	1
8	O-RING	FKM		* 1071786 (ORV-011)	2
9	O-RING	FKM		* 1071826 (ORV-233)	1
10	SHAFT GUIDE (REQ'S ASSY TOOL)	BRASS		* 1074377 (426-GAO)	1
11	LOCKWASHER			* 1073594 (WAS-0020)	2
12	CAP	CAST IRON		* 1081560 (426-C)	1
13	HEX SCREW 5/16"-18	PLATED STEEL		* 1072401 (SCZ-0015)	6
14	DIAPHRAGM	BUNA N		* 1074374 (426-FB)	1
		FKM		1074376 (426-FV)	
15	HEX NUT 5/16"-18	PLATED STEEL		* 1071657 (NUZ-0011)	6
16	O-RING	AFLAS		* 1071662 (ORA-114)	2
17	SHAFT (NORMALLY OPEN)			* 1074401 (426-LAA)	1
18	DISC SPACER	BRASS		* 1074382 (426-HA)	1
19	UPPER DIAPHRAGM PLATE			* 1074371 (426-DA)	1
20	LOWER DIAPHRAGM PLATE			* 1074372 (426-DAA)	1



- NOTE:
1. AMERICAN NATIONAL STANDARD TAPER PIPE THREADS (NPT) PER ANSI B2.1-1968
  2. VALVES AVAILABLE WITH B.S.P. OR J.I.S. END CONNECTIONS.

1072482 (VAVF-0000-90000) (2" NPT)  
1072489 (VAVG-0000-90000) (2-1/2" NPT)

**NORMALLY OPEN (STANDARD)**

SEE REVERSE SIDE FOR  
CONFIGURATION OPTIONS

FORM NO. 1077638

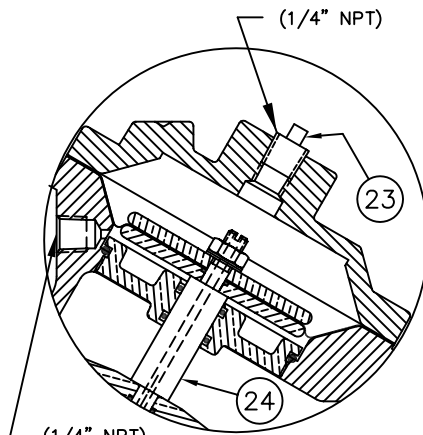
D	NUMBER CONVERSION	1588	MSM	27NOV02	
REV	DESCRIPTION	ECO	DWN	DATE	APVD

**OSMONICS**  
ROCKFORD OPERATIONS  
2412 GRANT AVENUE, ROCKFORD, IL 61103-3991 (815) 964-9421  
WWW.OSMONICS.COM

**SERIES VAV6 DIAPHRAGM VALVE  
2" & 2-1/2" N.P.T.**

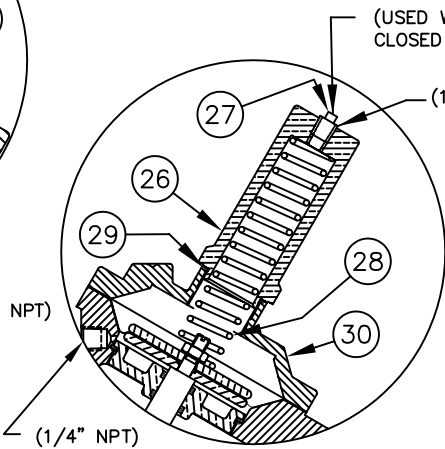
SCALE	DRAWN	DATE	DWG. NO.
N/A	JWB	15MAY01	1084042

2" & 2-1/2" AIR VALVE - OPTIONAL MODELS



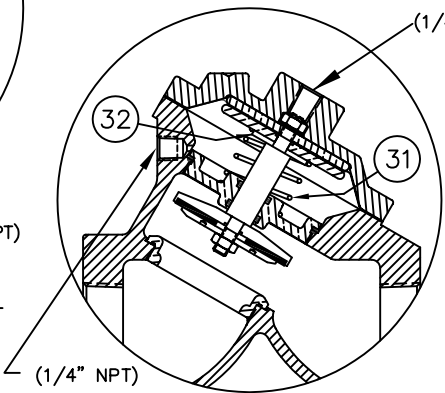
VAVG-0030-90000 (2" NPT)  
1080794 (VAVH-0030-90000) (2-1/2" NPT)

**NORMALLY CLOSED**



1077120 (VAVG-0002-90000) (2" NPT)  
VAVH-0002-90000 (2-1/2" NPT)

**SPRING ASSIST CLOSED**



1072491 (VAVG-0001-90000) (2" NPT)  
1072497 (VAVH-0001-90000) (2-1/2" NPT)

**SPRING ASSIST OPEN**


NO.	DESCRIPTION	STD	PART NO.	QTY.
<b>NORMALLY CLOSED MODEL</b>				
23	PIPE PLUG (1/4" N.P.T.)	PLATED STEEL *	1071918 (PLZ-0008)	1
24	SHAFT (NORMALLY CLOSED)	*	1074403 (426-LLA)	1
<b>SPRING ASSIST CLOSED MODEL</b>				
26	RETAINER NUT	BRASS *	1074431 (426-TTA)	1
27	PIPE PLUG (1/8" N.P.T.)	BRASS *	1071903 (PLB-0007)	1
28	SPRING	*	1074429 (426-SSB)	1
29	O-RING	*	1071677 (ORB-025)	1
30	CAP	CAST IRON *	1074352 (426-CC)	1
<b>SPRING ASSIST OPEN MODEL</b>				
31	SPRING	*	1074423 (426-S)	1
32	CENTERING WASHER	BRASS *	1074436 (426-V)	1

SEE REVERSE SIDE FOR STANDARD NORMALLY OPEN MODEL

FORM NO. 1077638

<b>CONVERSION KITS</b>	
DESCRIPTION	PART NO.
CONVERSION KIT (SPRING ASSIST CLOSED) CONSISTS OF STANDARD ITEM NO'S 26 THRU 30	1070514 (AV6-SCC)
CONVERSION KIT (SPRING ASSIST OPEN) CONSISTS OF STANDARD ITEM NO'S 31,32	1070515 (AV6-SO)

<b>REPAIR PARTS KITS</b>	
DESCRIPTION	PART NO.
INT. PARTS KIT (NORM. CLOSED) CONSISTS OF STANDARD ITEM NO'S 4,7,10,18,19,20,24	1070512 (AV6-RG)
INT. PARTS KIT (SPRING ASSIST CLOSED) CONSISTS OF STANDARD ITEM NO'S 28,29	1070513 (AV6-SC)
INT. PARTS KIT (SPRING ASSIST OPEN) CONSISTS OF STANDARD ITEM NO'S 31,32	1070515 (AV6-SO)

D	NUMBER CONVERSION	1588	MSM	27NOV02
REV	DESCRIPTION	ECO	DWN	DATE APVD
 <b>OSMONICS</b> ROCKFORD OPERATIONS 2412 GRANT AVENUE, ROCKFORD, IL 61103-3991 (815) 964-9421 WWW.OSMONICS.COM				
<b>SERIES VAV6 DIAPHRAGM VALVE</b>				
<b>2" &amp; 2-1/2" N.P.T.</b>				
SCALE N/A	DRAWN JWB	DATE 15MAY01	DWG. NO.	1084042