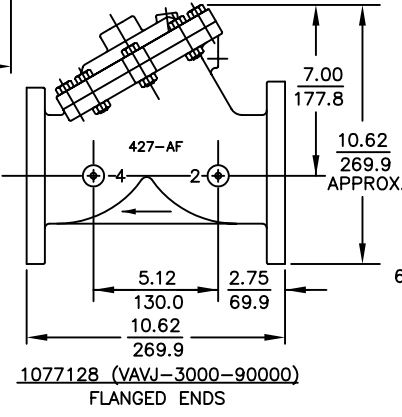


NOTE:
 1. AMERICAN NATIONAL STANDARD TAPER PIPE THREADS (NPT) PER ANSI B2.1-1968
 2. VALVES AVAILABLE WITH B.S.P. END CONNECTIONS. ADD "-BSP" TO END OF PART NUMBERS FOR ITEM NUMBERS 1,12,23,34.



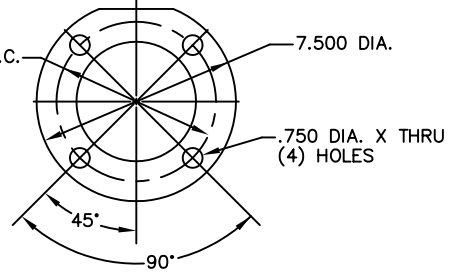
REPAIR PARTS KITS

DESCRIPTION	PART NO.	
DIAPHRAGM & SEALS KIT CONSISTS OF ITEM NO'S 3(2),5,6,8(2),9,14,16(2)	1070110 (AV7-RA)	1070516 (AV7-RAHT)
	INCLUDES DISC 1074490 (427-JH), DIAPHRAGM 1074475 (427-FB)	INCLUDES DISC 1074491 (427-JT), DIAPHRAGM 1074477 (427-FV)
INT. PARTS KIT (NORM. OPEN) CONSISTS OF STANDARD ITEM NO'S 4,7,10,11,17,18,20,21	1070517 (AV7-RF)	
SEAT (ITEM NO. 2)	1074503 (427-MAO)	

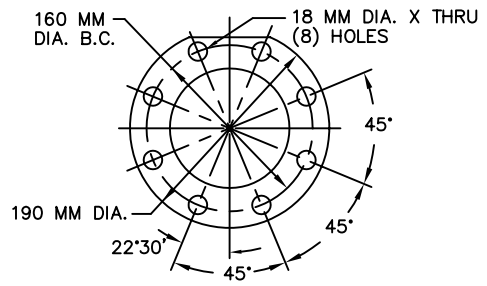
ASSEMBLY TOOLS

DESCRIPTION	PART NO.
FOR INSTALLATION & REMOVAL OF SHAFT GUIDE (ITEM #10) (NOT SHOWN)	1-3/16" HEX SOCKET

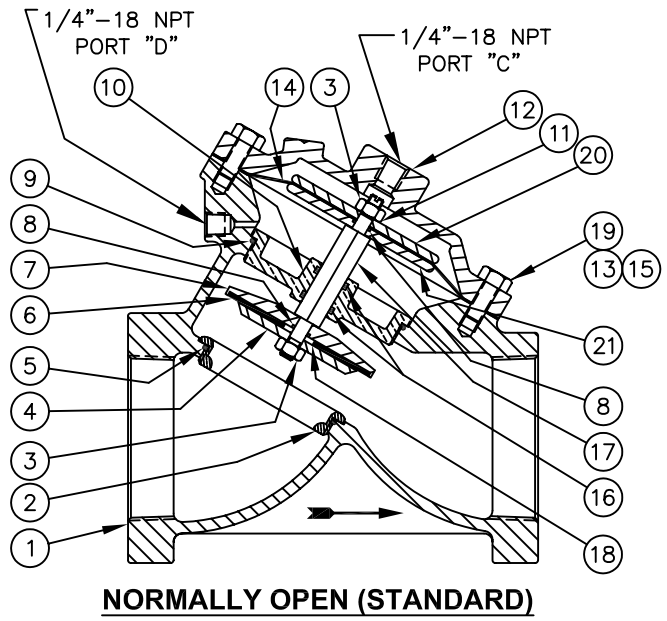
NO.	DESCRIPTION		STD	PART NO.	QTY.
1	BODY	CAST IRON	THREADED * FLANGED *	1074446 (427-AS) 1074438 (427-AF)	1
2	SEAT		BRASS *	1074503 (427-MAO)	1
3	HEX LOCK NUT	(5/16-24)		1071651 (NUS-0013)	2
4	DISC PLATE		BRASS *	1074494 (427-KA)	1
5	O-RING		FKM *	1071797 (ORV-042)	1
6	DISC		HYCAR * AFLAS GLASS FILLED TEFLON	1074490 (427-JH) 1074491 (427-JT)	1
7	DISC HOLDER		BRASS *	1074483 (427-HA)	1
8	O-RING		FKM *	1071786 (ORV-011)	2
9	O-RING		FKM *	1071828 (ORV-237)	1
10	SHAFT GUIDE (REQ'S ASSY TOOL)		BRASS *	1074478 (427-GAO)	1
11	LOCKWASHER			1073594 (WAS-0020)	2
12	CAP		CAST IRON	1074454 (427-C)	1
13	HEX SCREW	3/8"-16	PLATED STEEL *	1072405 (SCZ-0025)	6
14	DIAPHRAGM		BUNA N * FKM	1074475 (427-FB) 1074477 (427-FV)	1
15	HEX NUT	3/8"-16	PLATED STEEL *	1071658 (NUZ-0014)	6
16	O-RING		AFLAS *	1071662 (ORA-114)	2
17	SHAFT (NORMALLY OPEN)			1074497 (427-LAA)	1
18	DISC SPACER		BRASS *	1074382 (426-HA)	1
19	HEX SCREW	3/8"-16	STN. STL.	1072359 (SCS-0020)	2
20	UPPER DIAPHRAGM PLATE			1074472 (427-DA)	1
21	LOWER DIAPHRAGM PLATE			1074473 (427-DA)	1



AMERICAN FLANGE PER A.S.A. 16.1 CLASS 125



METRIC FLANGE PER BS4504, DIN 10 & ISO R 2084



NORMALLY OPEN (STANDARD)

SEE REVERSE SIDE FOR CONFIGURATION OPTIONS

FORM NO. 1077639

D	NUMBER CONVERSION	1588	MSM	27NOV02	
REV	DESCRIPTION	ECO	DWN	DATE	APV/D

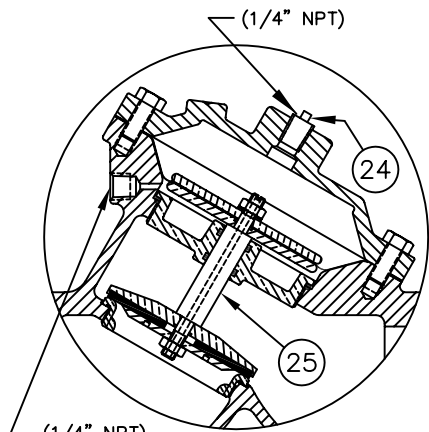


OSMONICS
 ROCKFORD OPERATIONS
 2412 GRANT AVENUE, ROCKFORD, IL 61103-3991 (815) 964-9421
 WWW.OSMONICS.COM

SERIES VAV7 DIAPHRAGM VALVE
3" PIPE SIZE

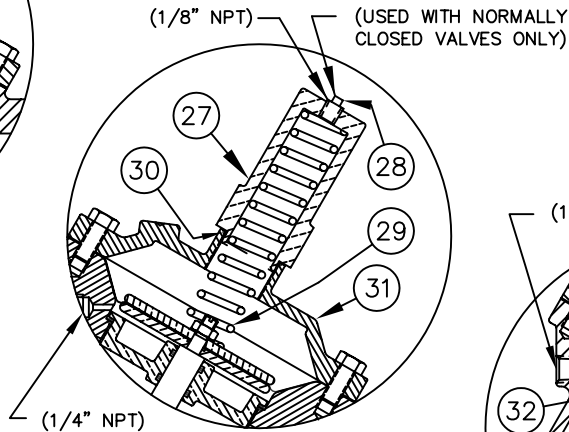
SCALE	DRAWN	DATE	DWG. NO.
N/A	JWB	15MAY01	1084043

3" AIR VALVE - OPTIONAL MODELS



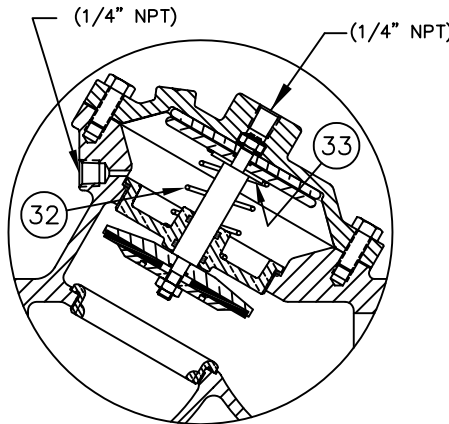
(1/4" NPT)
 VAVJ-0030-90000 (THREADED)
 VAVJ-3030-90000 (FLANGED)

NORMALLY CLOSED



(1/8" NPT) (USED WITH NORMALLY CLOSED VALVES ONLY)
 (1/4" NPT)
 VAVJ-0002-90000 (THREADED)
 1080797 (VAVJ-3002-90000) (FLANGED)

SPRING ASSIST CLOSED



(1/4" NPT) (1/4" NPT)
 VAVJ-0001-90000 (THREADED)
 1072509 (VAVJ-3001-90000) (FLANGED)

SPRING ASSIST OPEN


NO.	DESCRIPTION	STD	PART NO.	QTY.
NORMALLY CLOSED MODEL				
24	PIPE PLUG (1/4" N.P.T.)	PLATED STEEL *	1071918 (PLZ-0008)	1
25	SHAFT (NORMALLY CLOSED)	*	1074500 (427-LLA)	1
SPRING ASSIST CLOSED MODEL				
27	RETAINER NUT	BRASS *	1074431 (426-TTA)	1
28	PIPE PLUG (1/8" N.P.T.)	BRASS *	1071903 (PLB-0007)	1
29	SPRING	*	1074429 (426-SSB)	1
30	O-RING	*	1071677 (ORB-025)	1
31	CAP	CAST IRON *	1074460 (427-CC)	1
SPRING ASSIST OPEN MODEL				
32	SPRING	*	1074423 (426-S)	1
33	CENTERING WASHER	BRASS *	1074436 (426-V)	1

SEE REVERSE SIDE FOR
 STANDARD NORMALLY OPEN MODEL

FORM NO. 1077639

CONVERSION KITS	
DESCRIPTION	PART NO.
CONVERSION KIT (SPRING ASSIST CLOSED) CONSISTS OF STANDARD ITEM NO'S 27 THRU 31	1070519 (AV7-SCC)
CONVERSION KIT (SPRING ASSIST OPEN) CONSISTS OF STANDARD ITEM NO'S 32,33	1070520 (AV7-SO)

REPAIR PARTS KITS	
DESCRIPTION	PART NO.
INT. PARTS KIT (NORM. CLOSED) CONSISTS OF STANDARD ITEM NO'S 4,7,10,11,18,20,21,25	1070518 (AV7-RG)
INT. PARTS KIT (SPRING ASSIST CLOSED) CONSISTS OF STANDARD ITEM NO'S 29,30	
INT. PARTS KIT (SPRING ASSIST OPEN) CONSISTS OF STANDARD ITEM NO'S 32,33	1070520 (AV7-SO)

D	NUMBER	CONVERSION	1588	MSM	27NOV02	
REV	DESCRIPTION		ECO	DWN	DATE	APVD
 OSMONICS ROCKFORD OPERATIONS 2412 GRANT AVENUE, ROCKFORD, IL 61103-3991 (815) 964-9421 WWW.OSMONICS.COM						
SERIES VAV7 DIAPHRAGM VALVE						
3" N.P.T.						
SCALE N/A	DRAWN JWB	DATE 15MAY01	DWG. NO. 1084043			