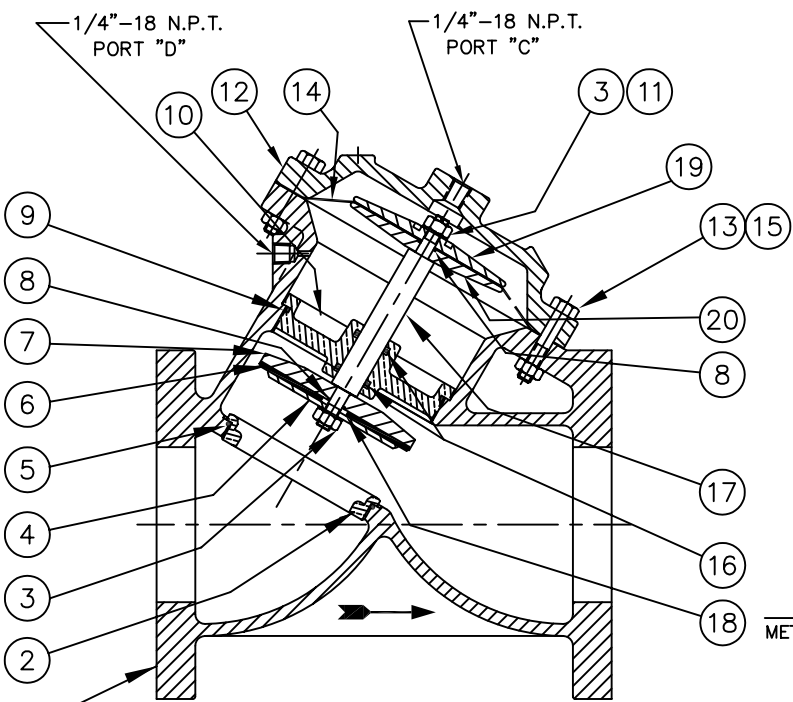


INCHES
MILLIMETERS

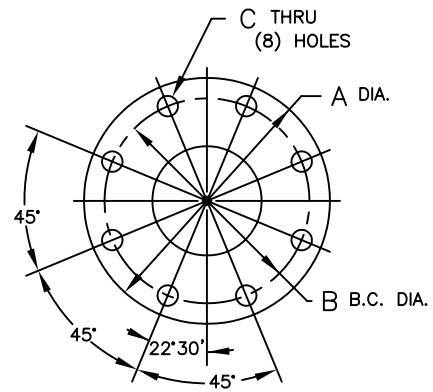
| REPAIR PARTS KITS | |
|--|--|
| DESCRIPTION | PART NO. |
| DIAPHRAGM & SEALS KIT CONSISTS OF ITEM NO'S 3(2),5,6,8(2),9,14,16(2) | 1070111 (AV8-RA) 1070521 (AV8-RAHT) INCLUDES DISC 1074571 (428-JH), DIAPHRAGM 1074557 (428-FB) INCLUDES DISC 1074572 (428-JT), DIAPHRAGM 1074559 (428-FV) |
| INT. PARTS KIT (NORM. OPEN) CONSISTS OF STANDARD ITEM NO'S 4,7,10,11,17,18,19,20 | 1070522 (AV8-RF) |
| SEAT (ITEM NO. 2) | 1074585 (428-MAO) |

NOTE:
1. AMERICAN NATIONAL STANDARD TAPER PIPE THREADS (NPT) PER ANSI B2.1-1968
2. VALVES AVAILABLE WITH B.S.P. END CONNECTIONS. ADD "-BSP" OR TO END OF PART NUMBERS FOR ITEM NUMBERS 1,12.

| NO. | DESCRIPTION | STD | PART NO. | QTY. |
|-----|-----------------------|---------------------|----------------------|------|
| 1 | BODY | CAST IRON | * 1074522 (428-A) | 1 |
| 2 | SEAT | BRASS | * 1074585 (428-MAO) | 1 |
| 3 | HEX LOCK NUT (3/8-24) | | * 1071853 (NUS-0017) | 2 |
| 4 | DISC PLATE | BRASS | * 1074575 (428-KA) | 1 |
| 5 | O-RING | FKM | * 1071811 (ORV-156) | 1 |
| 6 | DISC | HYPAR | * 1074571 (428-JH) | 1 |
| | | AFLAS | | |
| | | GLASS FILLED TEFLON | 1074572 (428-JT) | |
| 7 | DISC HOLDER | BRASS | * 1074588 (428-NA) | 1 |
| 8 | O-RING | FKM | * 1071787 (ORV-012) | 2 |
| 9 | O-RING | FKM | * 1071832 (ORV-245) | 1 |
| 10 | SHAFT GUIDE | BRASS | * 1074560 (428-GAO) | 1 |
| 11 | LOCKWASHER | | * 1073595 (WAS-0021) | 2 |
| 12 | CAP | CAST IRON | * 1074532 (428-C) | 1 |
| 13 | HEX SCREW 3/8"-16 | PLATED STEEL | * 1072406 (SCZ-0027) | 11 |
| 14 | DIAPHRAGM | BUNA N | * 1074557 (428-FB) | 1 |
| | | FKM | 1074559 (428-FV) | |
| 15 | HEX NUT 3/8"-16 | PLATED STEEL | * 1071658 (NUZ-0014) | 11 |
| 16 | O-RING | AFLAS | * 1071665 (ORA-210) | 2 |
| 17 | SHAFT (NORMALLY OPEN) | | * 1074579 (428-LAA) | 1 |
| 18 | DISC SPACER | BRASS | * 1074565 (428-HA) | 1 |
| 19 | UPPER DIAPHRAGM PLATE | | * 1074554 (428-DA) | 1 |
| 20 | LOWER DIAPHRAGM PLATE | | * 1074555 (428-DAA) | 1 |



| FLANGE STYLE | A | B | C |
|--------------|--------|--------|-------|
| AMERICAN | 9.000 | 7.500 | .750 |
| METRIC | 229 MM | 180 MM | 18 MM |



AMERICAN FLANGE PER A.S.A. 16.1 CLASS 125
METRIC FLANGE PER BS 4504, DIN 10 & ISO R 2084

1072513 (VAVK-3000-90000) (4" PIPE SIZE)
NORMALLY OPEN (STANDARD)

PRINTED IN U.S.A.

SEE REVERSE SIDE FOR CONFIGURATION OPTIONS

FORM NO. 1077640

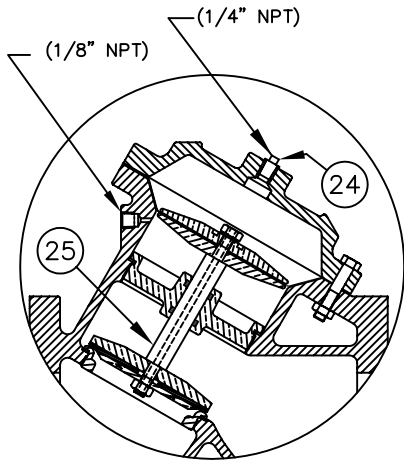
| E | CORRECTED INT. PARTS KIT P/N | NONE | MSM | 02MAR05 |
|-----|------------------------------|------|-----|---------|
| REV | DESCRIPTION | ECO | DWN | DATE |
| | | | | APV/D |



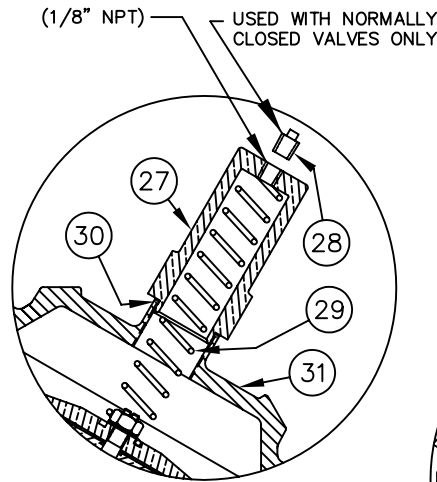
OSMONICS
ROCKFORD OPERATIONS
2412 GRANT AVENUE, ROCKFORD, IL 61103-3991 (815) 964-9421
WWW.OSMONICS.COM

SERIES VAV8 DIAPHRAGM VALVE
4" PIPE SIZE

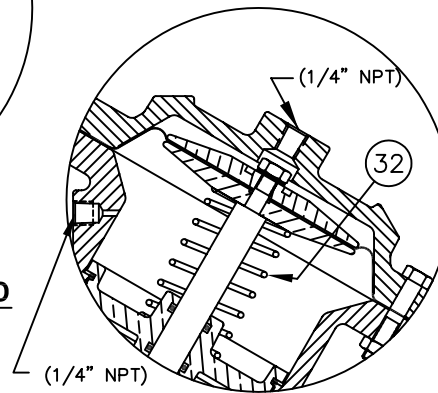
| SCALE | DRAWN | DATE | DWG. NO. |
|-------|-------|---------|----------|
| N/A | JWB | 14MAY01 | 1084044 |



VAVK-3030-90000
NORMALLY CLOSED



1072516 (VAVK-3002-90000)
SPRING ASSIST CLOSED



1072514 (VAVK-3001-90000)
SPRING ASSIST OPEN


| NO. | DESCRIPTION | STD | PART NO. | QTY. |
|-----------------------------------|-------------------------|----------------|--------------------|------|
| NORMALLY CLOSED MODEL | | | | |
| 24 | PIPE PLUG (1/4" N.P.T.) | PLATED STEEL * | 1071918 (PLZ-0008) | 1 |
| 25 | SHAFT (NORMALLY CLOSED) | * | 1074582 (428-LLA) | 1 |
| SPRING ASSIST CLOSED MODEL | | | | |
| 27 | RETAINER NUT | BRASS * | 1074609 (428-TT) | 1 |
| 28 | PIPE PLUG (1/8" N.P.T.) | BRASS * | 1071903 (PLB-0007) | 1 |
| 29 | SPRING | * | 1074601 (428-SB) | 1 |
| 30 | O-RING | * | 1071677 (ORB-025) | 1 |
| 31 | CAP | CAST IRON * | 1074540 (428-CC) | 1 |
| SPRING ASSIST OPEN MODEL | | | | |
| 32 | SPRING | * | 1074605 (428-SOA) | 1 |

SEE REVERSE SIDE FOR
STANDARD NORMALLY OPEN MODEL

FORM NO. 1077640

| CONVERSION KITS | |
|--|-------------------|
| DESCRIPTION | PART NO. |
| CONVERSION KIT (SPRING ASSIST CLOSED) CONSISTS OF STANDARD ITEM NO'S 27 THRU 31 | 1070525 (AV8-SCC) |
| CONVERSION KIT (SPRING ASSIST OPEN) CONSISTS OF STANDARD ITEM NO. 32 | 1070526 (AV8-SO) |

| REPAIR PARTS KITS | |
|--|------------------|
| DESCRIPTION | PART NO. |
| INT. PARTS KIT (NORM. CLOSED) CONSISTS OF STANDARD ITEM NO'S 4,7,10,11,18,19,20,25 | 1070523 (AV8-RG) |
| INT. PARTS KIT (SPRING ASSIST CLOSED) CONSISTS OF STANDARD ITEM NO'S 29,30 | 1070524 (AV8-SC) |
| INT. PARTS KIT (SPRING ASSIST OPEN) CONSISTS OF STANDARD ITEM NO. 32 | 1070526 (AV8-SO) |

| | | | | | |
|---|------------------|-----------------|----------|---------|---------|
| E | SEE REVERSE SIDE | NONE | MSM | 02MAR05 | |
| REV | DESCRIPTION | ECO | DWN | DATE | APVD |
|  OSMONICS ROCKFORD OPERATIONS 2412 GRANT AVENUE, ROCKFORD, IL 61103-3991 (815) 964-9421 WWW.OSMONICS.COM | | | | | |
| SERIES VAV8 DIAPHRAGM VALVE | | | | | |
| 4" N.P.T. | | | | | |
| SCALE N/A | DRAWN JWB | DATE 15MAY01 | DWG. NO. | | 1084044 |