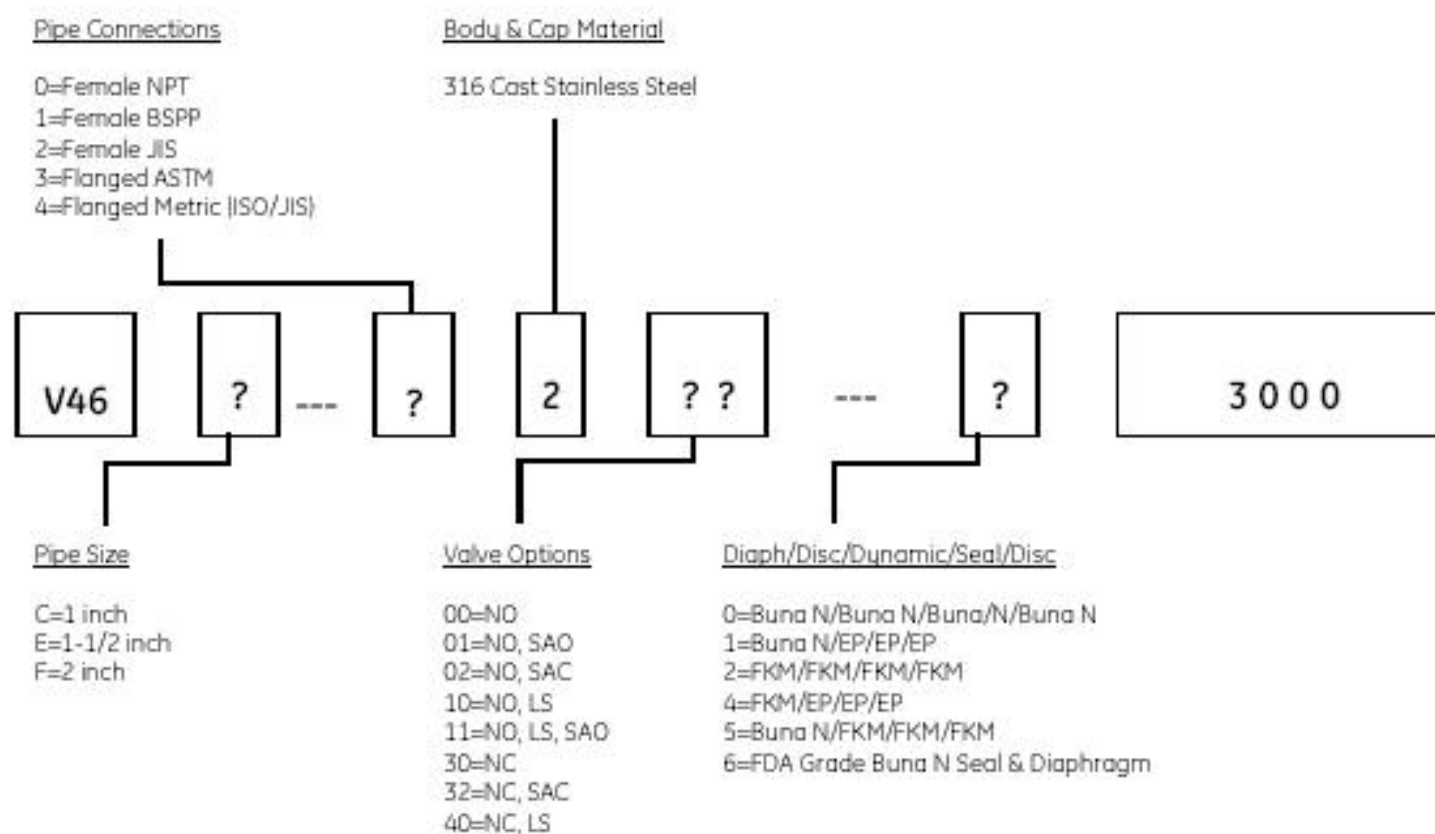


1.10 AQUAMATIC V46 SERIES - STAINLESS STEEL VALVE MODEL NUMBER SELECTION



Abbreviations:

ASTM	American Standard	EP	Ethylene propylene	NPT	National Pipe - Tapered Standard
BSPP	British Standard pipe parallel	FKM	Fluorocarbon	SAC	Spring assist closed
ISO	Industrial Standards Organization	LS	Limit Stop option	SAO	Spring assist open
JIS	Japanese Industrial Standard	NC	Normally closed		
		NO	Normally open		